



1-264 Slam cam

Slam-Cam for Slam Doors. Locking without key or tool.

- **To a):** The Teflon washer replaces the wave washer underneath the insert.
- Used with Quarter-Turns and inserts.
- **To a1):** Slam-Cam with free-stroke for applications with cylinder locks and handles.
- A Slam-Cam set consists of a cam, a spring and M6x10 hex screw with underhead serrations self securing powder dot.
- This self securing powder dot is to tune / adjust the correct friction for the stroke.
- The screw supplied with the handle is not required.

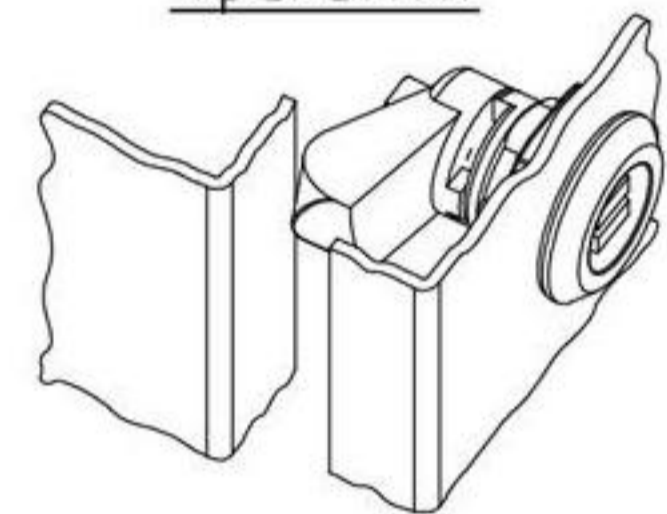
- **Attention:** On request, latch units with this cam should be assembled by DIRAK. A pre-assembled Quarter-Turn can be installed through the cutout.

Material:

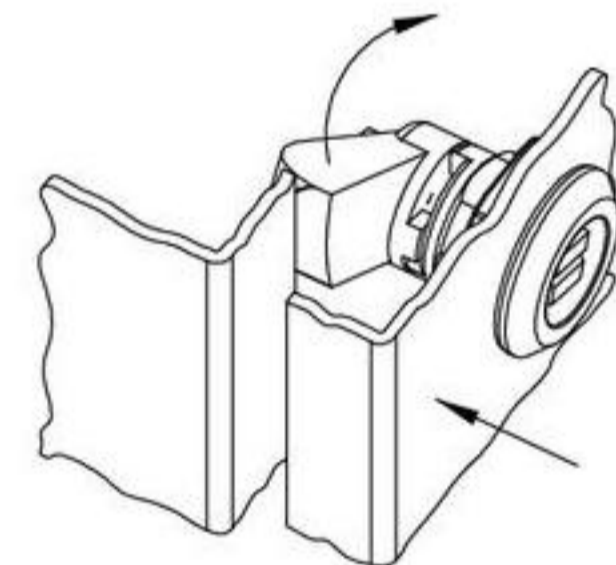
- a) and a1)
- **Slam cam:** zinc die, chrome plated
- **Spring:** steel, zinc plated
- **Spacer:** POM



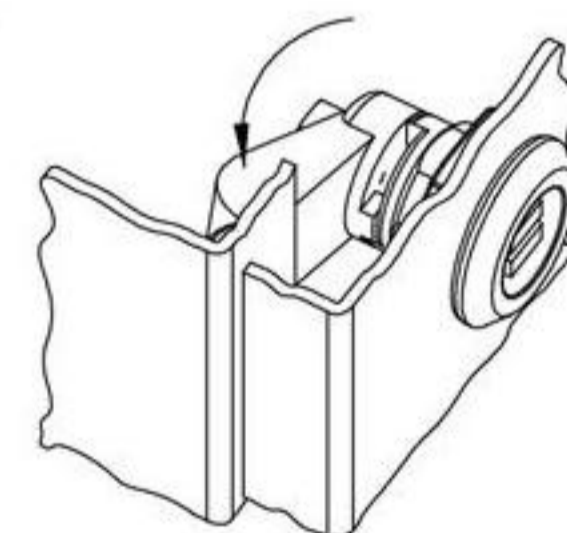
Operation



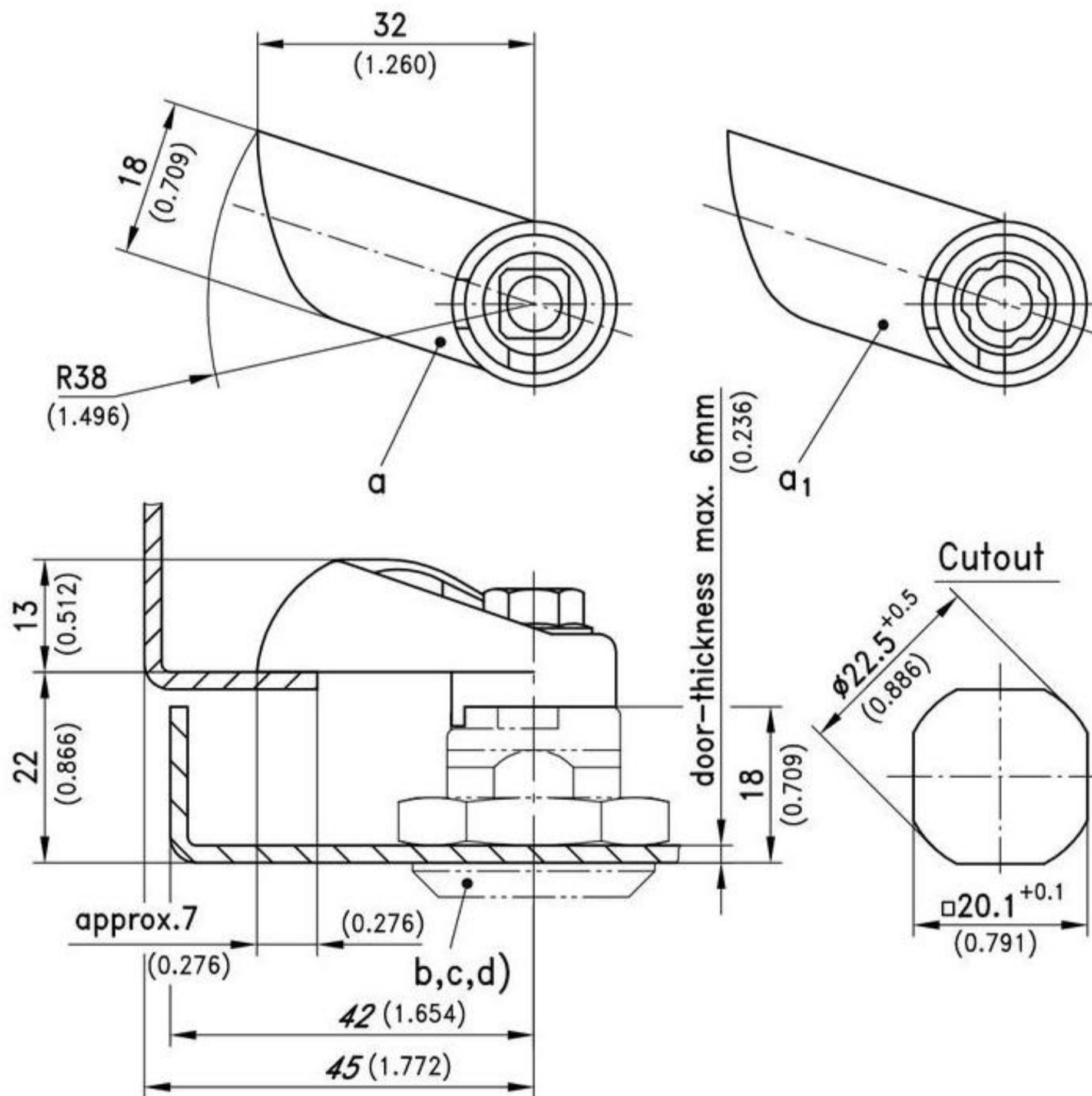
open position



cam is pushed upwards against spring force



closed position
springloaded cam drops behind frame



a) Slam-Cam with spring and Teflon washer	Part No.	see page
RH version, i.e. hinges on RH side	200-9605	
LH version, i.e. hinges on LH side	200-9606	
Other dimensions on request.		
a1) Slam-cam with free-stroke (see description right side)		
RH version, i.e. hinges on RH side	200-9607	
LH version, i.e. hinges on LH side	200-9608	
b) Housing		02.26, 02.29, 02.31
c) Insert		02.34
d) Handles and cylinder locks		02.37, 02.51