

7-106.01 Cam Adapter 45°

stainless steel AISI 316L



3-point cam adapter with or without stop made of stainless steel.

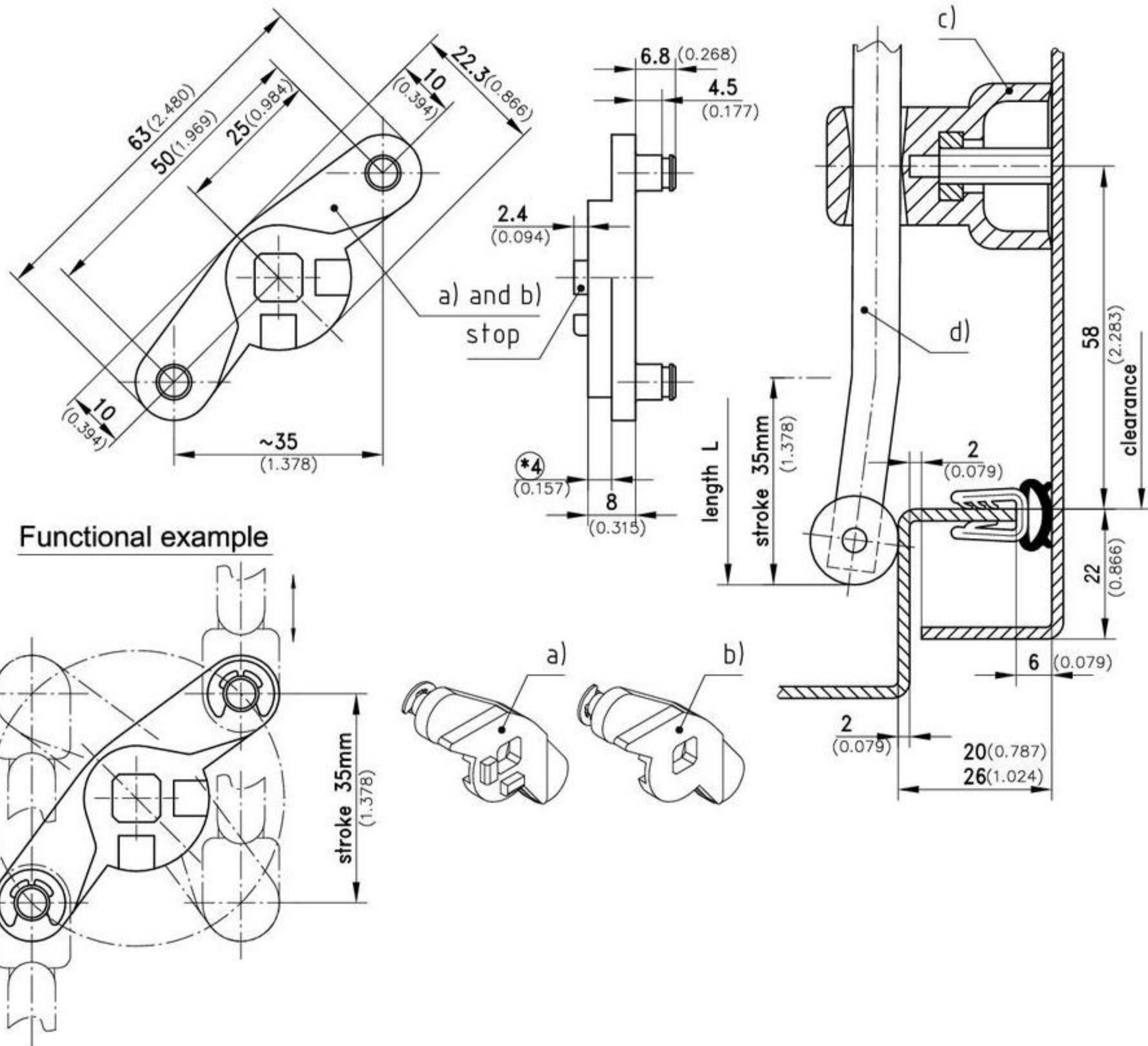
- For applications with stainless steel swinghandle see page 10.24.
- All cams of page 10.10 can be applied.
- Stroke 35mm.
- Round rods with eye see page 10.38.

***NOTE:**

H-dimension of cams as indicated see page 03.38, increases by 4mm. E.g. cam 200-0518 results in a H-dimension of 22 mm.

Material:

- **3-point cam adapter:**
stainless steel



	Part No.	see page
a) 3-point cam adapter including 2 circlips with stop	200-9598.00	
b) 3-point cam adapter including 2 circlips without stop	207-9594.00	
c) Rod Guide for bending	A20	200-3601.03
Rod Guide for bending	A26	200-3602.03
d) Round rod with eye		10.38