



2-151 2-, 3- and 4-Point Cam Adapter

3-point cam adapter is an alternative to a 2-point rod control and 3-point cam as shown see pages 02.58 and 03.37. This system also gives a third possibility:

- Raised rod stubs WITH 90° stop. These raised rod stubs are necessary for all swinghandles, enabling the lower rod passing over the lower cap (see page 03.16.). Moreover also shorter and special cams can be applied.
- 4-point cam adapter: with additional linkage
- For those applications, where beyond the standard control of 2 locking-rods, an additional rod can be used.

(e.g. controlling a switch or defeater-mechanism)

***NOTE:**

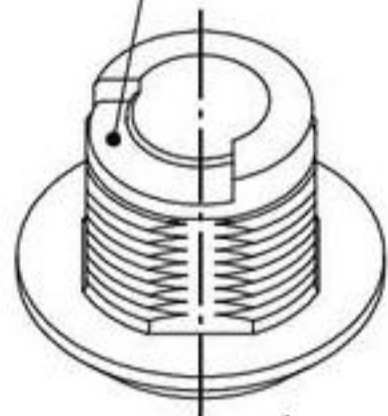
- H-dimension of cam (C) increases by 4mm. E.g. cam 200-0418 results in an H-dimension of 22mm. Please pay attention to the screw length: screw should enter at least 6mm.

Material:

- **3-point cam adapter and 4-point cam adapter:** zinc die, zinc plated.

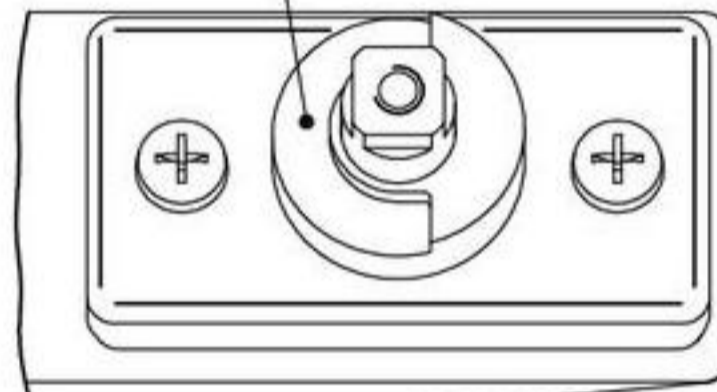


typical 200 series 90° stop



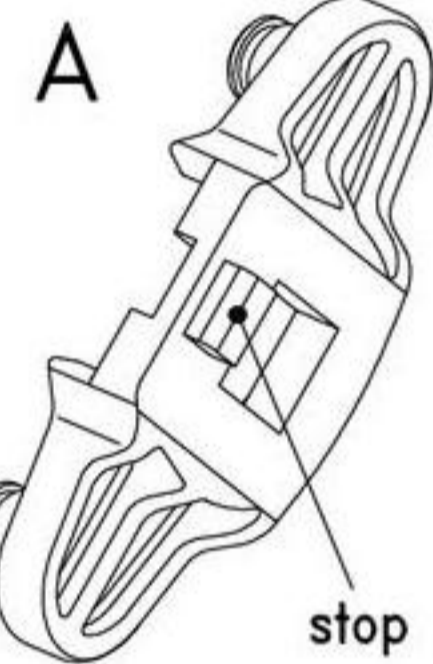
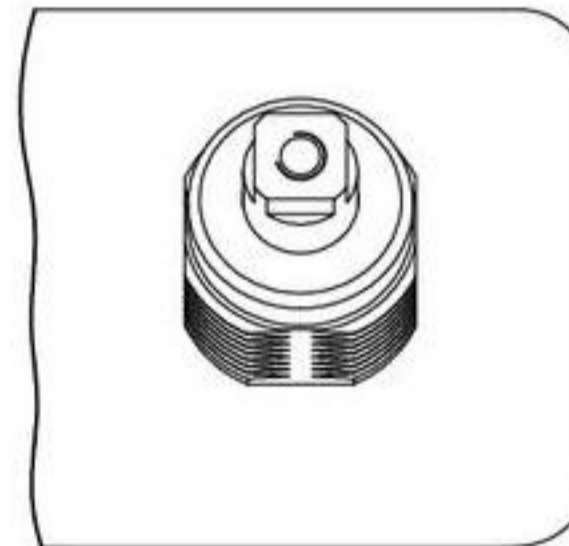
You need: Version WITH 90° stop
Apply: A (2 point) or A+C (3 point)

typical swinghandle 90° stop LH+RH

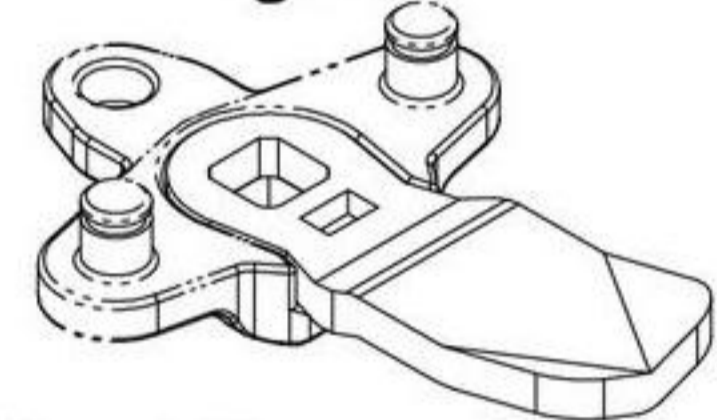


You need: Version WITHOUT 90° stop
Apply: B (2 point) or B+C (3 point)

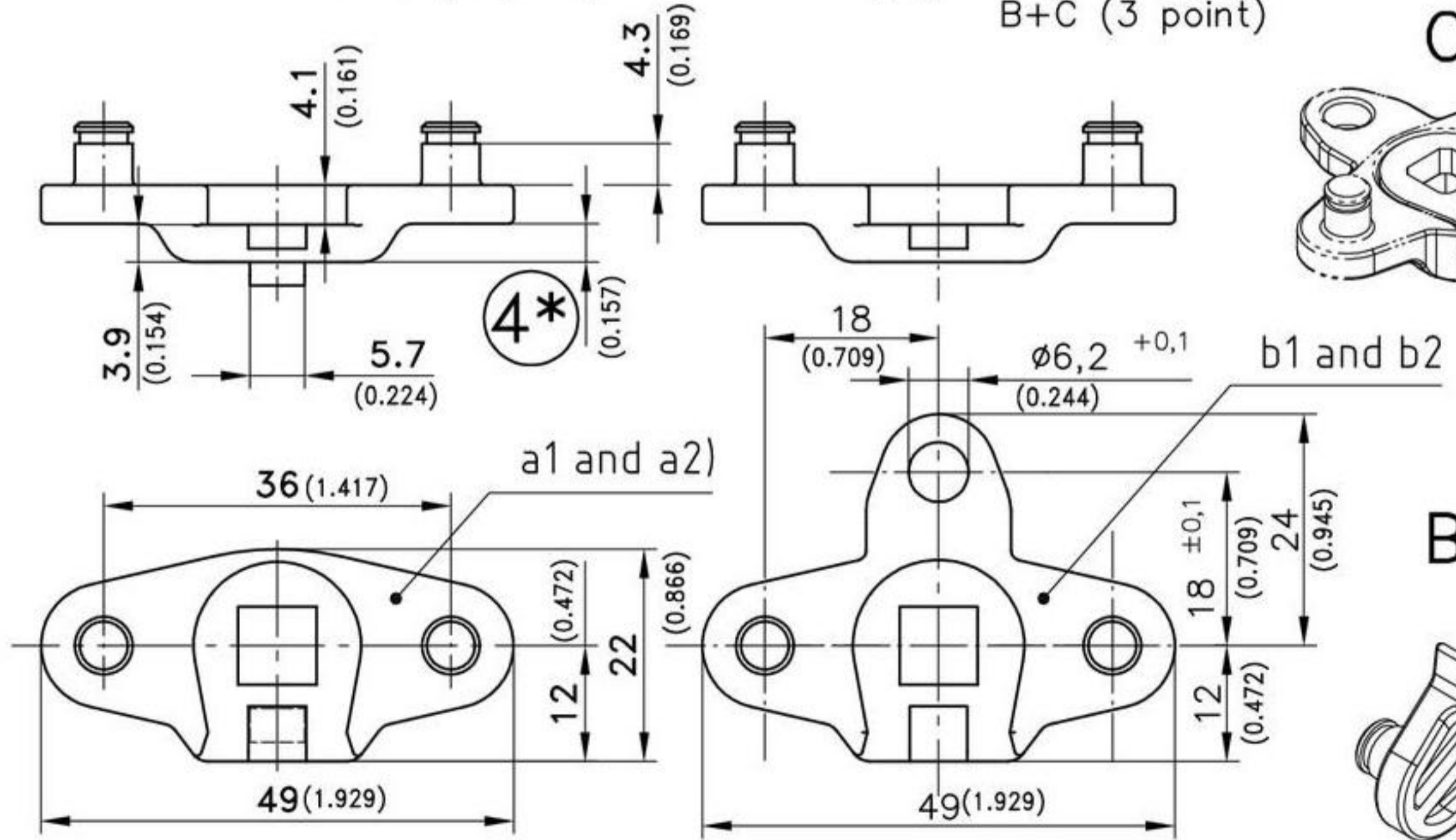
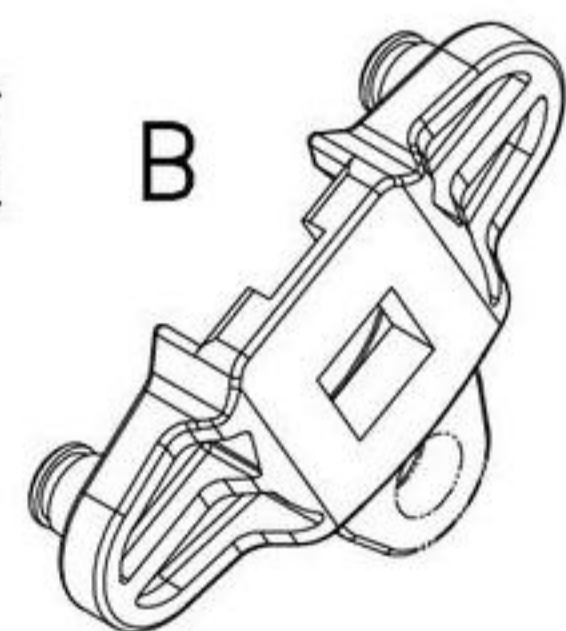
swinghandle without stop



C (cam)



B



	Part No.
3-point cam adapter	
a1) 3-point cam adapter with stop (incl. 2 circlips and screw M6x10)	200-9596
a2) without stop (incl. 2 circlips)	207-9596
b1) 4-point cam adapter with stop, with eye (incl. 2 circlips and screw M6x10)	200-9595
b2) without stop, with eye (incl. 2 circlips)	207-9595