

## 1-100 Quarter-Turn Pr20.1 L18



Quarter-Turn, RH or LH application.

- The Quarter-Turn consists of three basic components a) to a4), b) and c) which can be combined to suit your application.
- On request parts can be assembled by DIRAK.
- A pre-assembled Quarter-Turn can be installed through the cutout.
- Housings with extended bodies see page 02.31.

**Material:**

- **Housing:**  
zinc die, black or chrome plated or PA black
- **Nuts:**  
steel, zinc plated
- **Grounding/Earthing nut:**  
zinc die, natural
- **Grounding/Earthing clip:**  
stainless steel



a) Housing 28	Zinc die, chrome plated	zinc die, black	PA black	see page
with nut	200-9001	200-9048	200-9003	
with grounding/earthing nut	200-9002	200-9049		
with nut and grounding/earthing clip	200-9062	200-9063	200-9004	
a1) Housing 30x4				
with nut	200-9045	200-9054		
with grounding/earthing nut	200-9046	200-9055		
a2) Housing 32x6				
with nut	200-9005	200-9050	200-9007	
with grounding/earthing nut	200-9006	200-9051		
with nut and grounding/earthing clip			200-9008	
a2) Housing 30x6				
with nut	200-9009	200-9052		
with grounding/earthing nut	200-9010	200-9053		
a4) Blind housing 28x4				
with nut		235-9209		
b) Inserts				02.34
c) Cams				02.58
c1) Special cams				02.59, 02.60, 02.62
d) Keys				09.8
e) Other accessories				02.80, 02.81, 02.36
Optional:				
f) O-Ring for IP65	200-1001	200-1001	200-1001	
g) Flat external seal for IP65	200-0901	200-0901	200-0901	
h) For IP66/67 use additional O-Ring.	200-1002	200-1002	200-1002	
Assembling	200-0001	200-0001	200-0001	
Assembling with O-ring	200-0002	200-0002	200-0002	
Assembling cam 90° to wing knob without O-Ring	200-0019	200-0019	200-0019	
Assembling cam 90° to wing knob with O-Ring	200-0021	200-0021	200-0021	

# 1-100SL Quarter-Turn PrA L18 SNAP-LINE

upgradeable to PrB and PrC

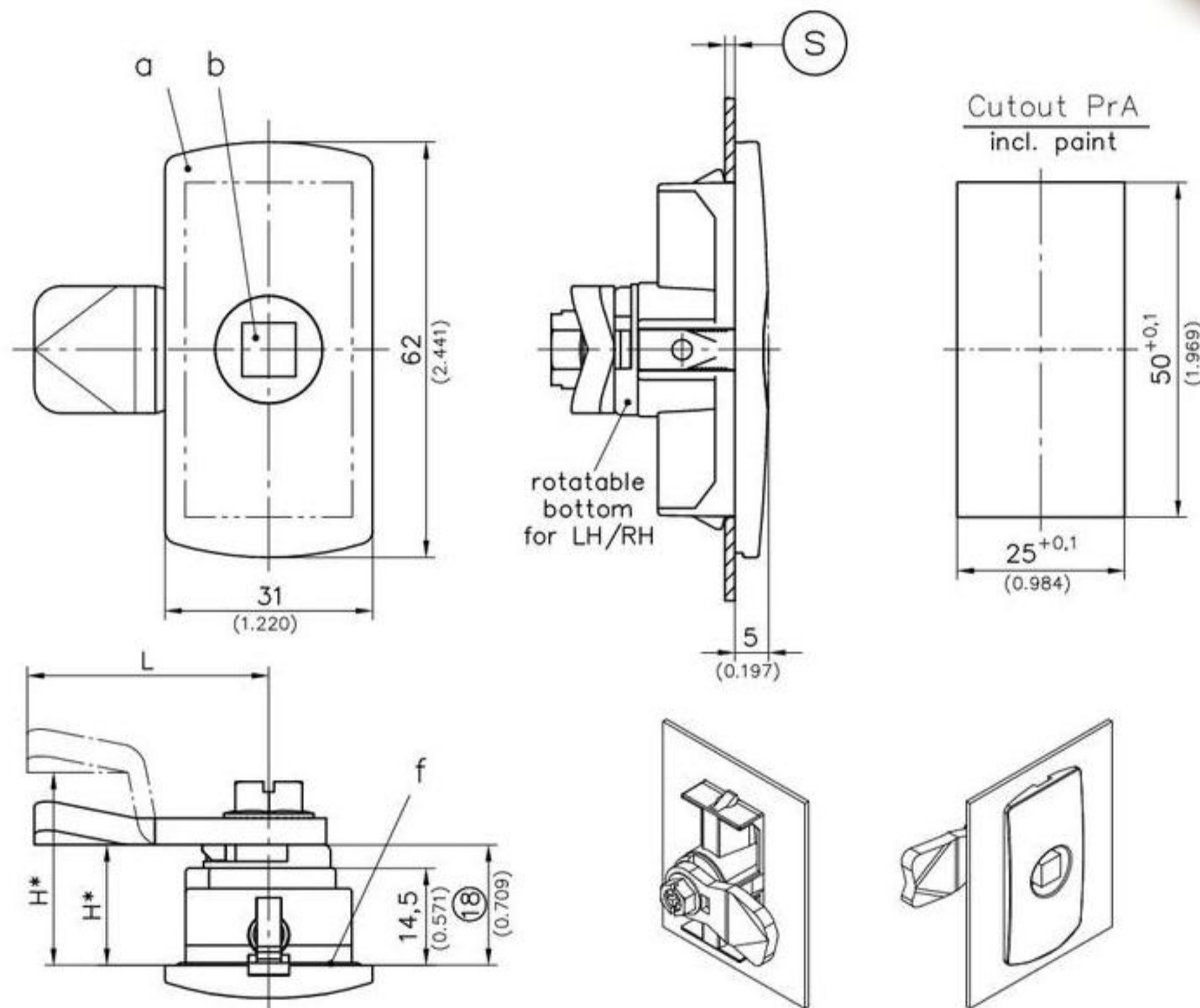


SNAP-LINE Quarter-Turn for Snap-in installation into cutout Type A (see page 04.5).

- Adding additional snap-in extensions g) and h), this Quarter-Turn can also be applied for cutouts type B and C.
- The Quarter-Turn can be snapped-in as a completely pre-assembled unit.
- Also a 3-point cam can be pre-assembled.
- Water- and dust-tight according to IP65 DIN EN 60529.
- Earthing/ Grounding: refer to a)
- Pre-assembling by DIRAK: refer to text on right page.
- **Attention:** H-dimension of the cam  $\geq 16\text{mm}$  (5/8")

**Material:**

- **Housing:** PA, black
- **Bottom:** zinc die, zinc plated
- **Snap wedges:** sintered steel, zinc plated
- **Grounding/Earthing clip:** stainless steel
- **Insert:** see b)
- **Cams:** see c) and c1)
- **O-Rings:** NBR, black

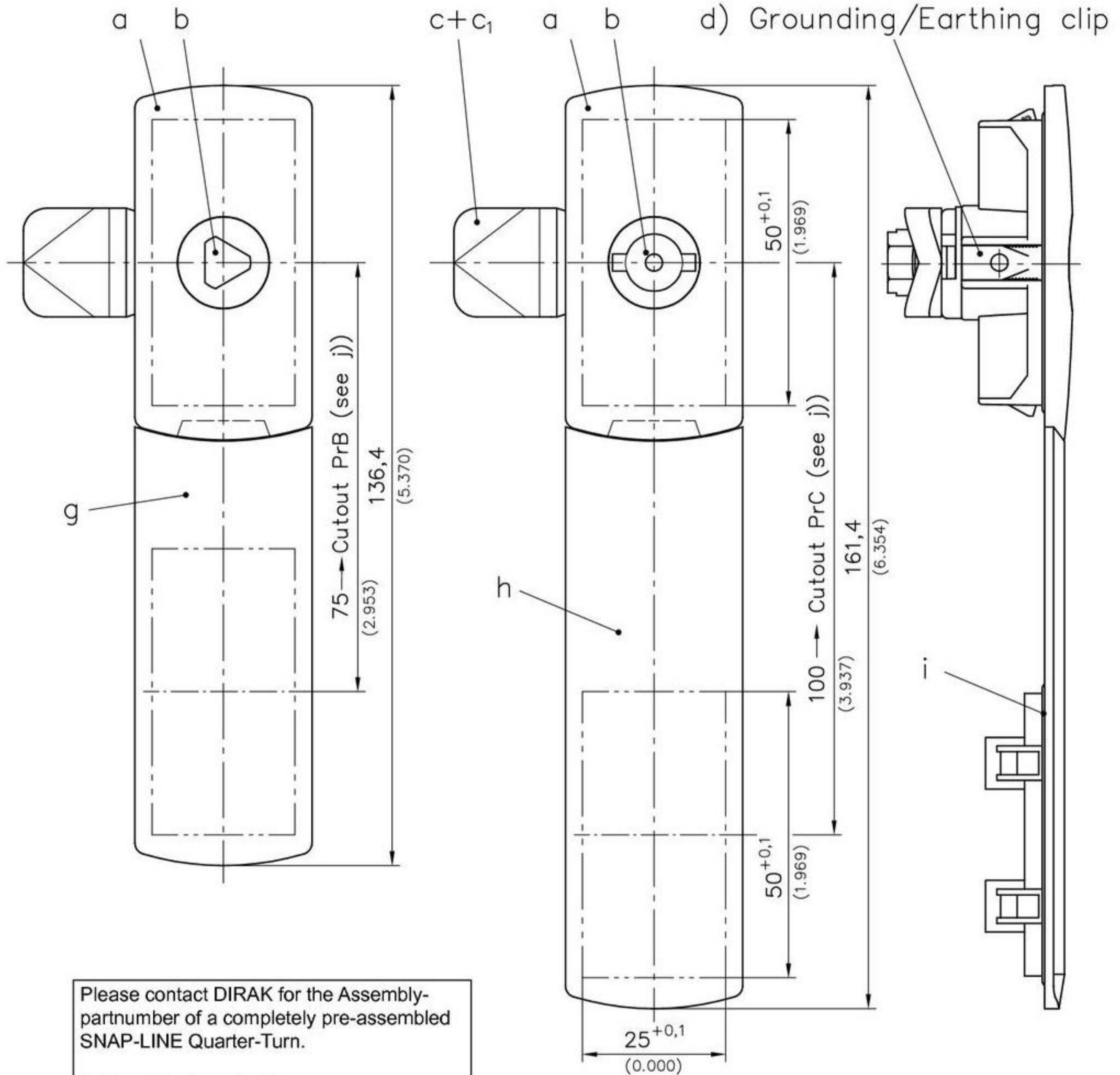


\* Attention:  $\geq H16$  (5/8")

a) Housing with snap-in wedges, O-ring and rotatable bottom	clamping range <sup>Ⓢ</sup>	with Grounding/earthing clip	without Grounding/earthing clip	see page
	0,8 - 1,5	408-9301.00-00015	408-9302.00-00015	
	1,3 - 2,0	408-9301.00-00020	408-9302.00-00020	
	1,8 - 2,5	408-9301.00-00025	408-9302.00-00025	
	2,3 - 3,0	408-9301.00-00030	408-9302.00-00030	
	2,8 - 3,5	408-9301.00-00035	408-9302.00-00035	
b) Insert				02.30, 02.34, 10.10
c) Cam				02.30, 02.58, 10.10, 10.12, 02.61
c1) 3-point cam				02.58, 03.38
d) Grounding/Earthing clip (included in 408-9301)			200-1104.93	
Optional:				
Water and dust tight according to IP65 by:				
e) O-ring		200-1001.00-00000	200-1001.00-00000	
f) O-ring for housing		208-1804.00-00000	208-1804.00-00000	
j) Cutout and Cover for cutout				04.5, 04.9

# 1-100SL Quarter-Turn PrA L18 SNAP-LINE

upgradeable to PrB and PrC



Please contact DIRAK for the Assembly-partnumber of a completely pre-assembled SNAP-LINE Quarter-Turn.

Advise following details:  
Door-thickness, RH or LH,  
IP65: Y/N,  
Grounding/Earthing clip: Y/N,  
Insert, cam

Please note, that we also can pre-assemble a 3-point cam.

	for Cutout	Part No.	see page
g) Escutcheon	Type B (75)	208-0523.03	
h) Escutcheon	Type C (100)	208-0522.03	
i) O-ring for housing		208-1804.00	
j) Cutout			04.5
Cover for cutout			04.9

### 1-100 Quarter-Turn Pr20.1 L18

