

1-154.01 Quarter-Turn with Handle Pr20.1 L18

for Padlock, with Cylinder



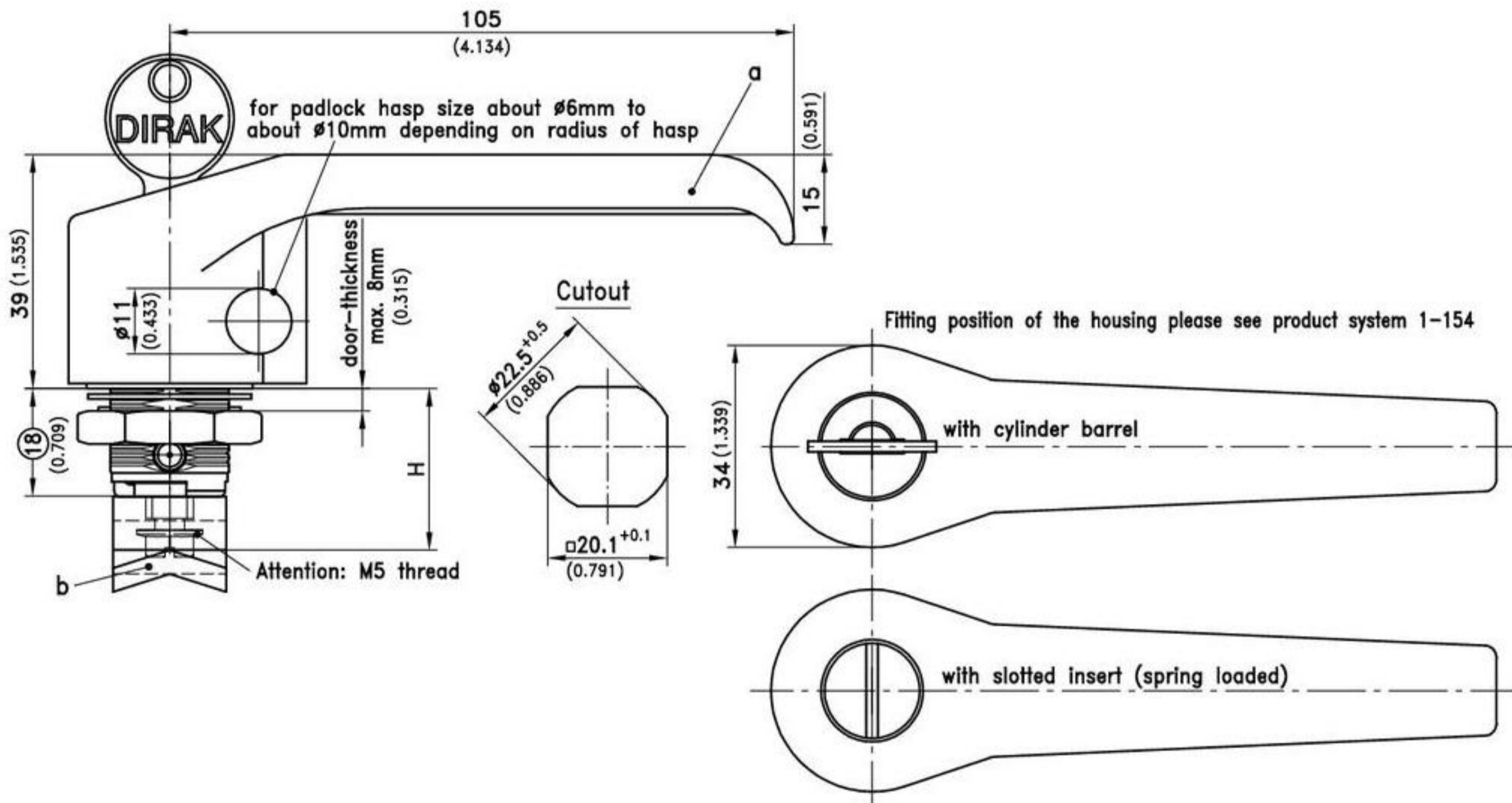
L-Handle for padlock with cylinder barrel or spring-loaded slotted insert with 90° rotation, Screw-in type.

- RH or LH application.
- Water- and dust-tight according to IP65 DIN EN 60529.
- This L-Handle consists of two basic parts which can be combined to suit your application.
- On request parts can be assembled by DIRAK.
- A pre-assembled Quarter-Turn can be installed in the cutout.
- **Padlock feature only if cam is at 90° to the handle.**

The system enables an easy (without any tool or device) swap of cylinder, barrel to slotted insert (vice versa).

Material:

- a)
 - **L-handle**
zinc die, black
 - **Housing:**
zinc die, zinc plated
 - **Slotted insert**
zinc die, chrome plated
 - **Cylinder barrel:**
zinc die, with stainless dust cap
- b)
 - **Cam:**
steel, zinc plated



	E-coated	Textured Powder	see page
a) L-Handle with plain grounding/earthing nut	black	black	
keyed alike DIRAK 1333*	200-9488	200-9488.TX	
keyed different/mixed*	200-9490	200-9490.TX	
Slotted insert, chrome plated (spring loaded)	200-9489	200-9489.TX	
b) Cam or 3-point cam			02.61, 02.58
Optional:			
c) Assembling for right door	200-0019	200-0019	
Assembling for left door	200-0020	200-0020	

All lockable handles supplied with two keys.

* with stainless dust-shutter

1-154 Quarter-Turn with Handle Pr20.1 L18/40

for Padlock

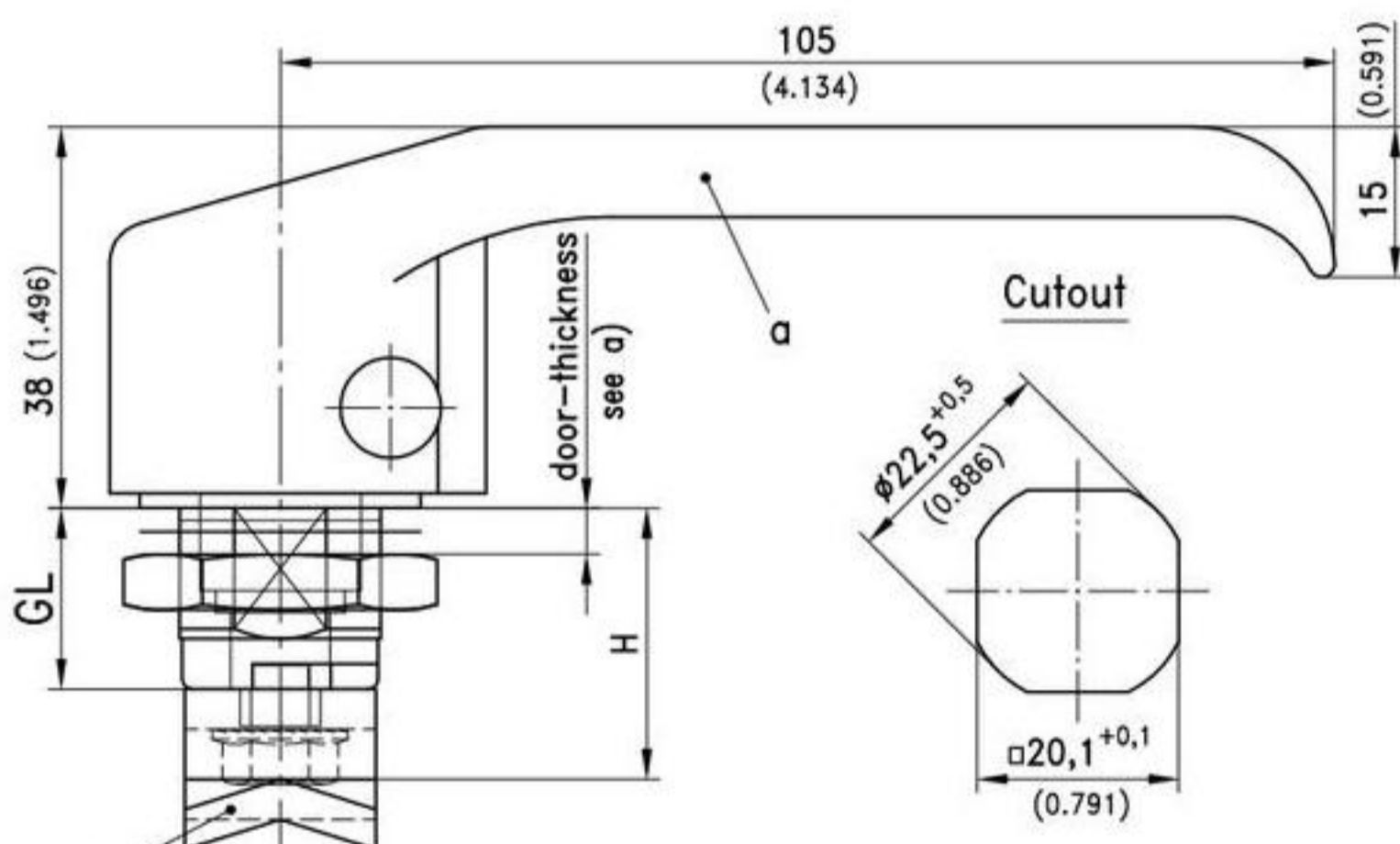


L-Handle for padlock with 90 ° rotation, Screw-in type.

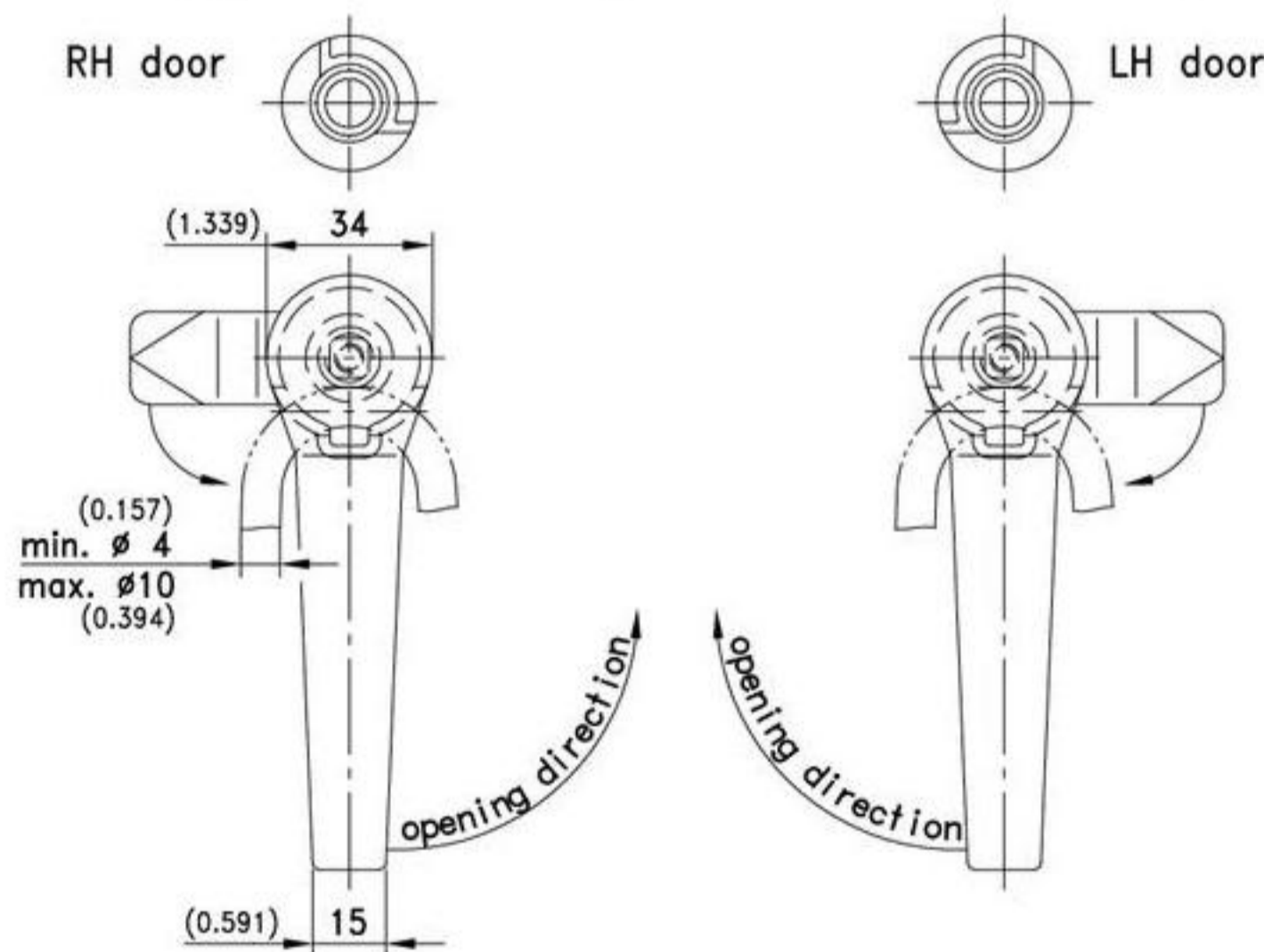
- Water- and dust-tight according to IP65 DIN EN 60529.
- The Quarter-Turn consists of two basic components which can be combined to suit your application.
- On request parts can be assembled by DIRAK.
- A pre-assembled Quarter-Turn can be installed in the cutout.
- **Padlock feature only if cam is at 90° to the handle.**

Material:

- a) **L-handle**
zinc die, chrome plated or black coated
- Housing:**
zinc die, zinc plated
- b) **Cam:**
steel, zinc plated



Fitting position of the housing, seen from outside of the door, at



		E-coated	Textured Powder black	see page
a) L-Handle with plain grounding/earthing nut	chrome plated	black	black	
L = 18 (door thickness max. 8mm)	200-9463	200-9464	200-9464.TX	
L = 40 (door thickness max. 30mm)	200-9491	200-9492	200-9492.TX	
b) Cam or 3-point cam				02.58
Special cams				02.61
Optional:				
c) Assembling for right door	200-0019	200-0019	200-0019	
Assembling for left door	200-0020	200-0020	200-0020	
Stainless steel version				10.18