

## 1-151 Quarter-Turn with Handle Pr20.1 L18

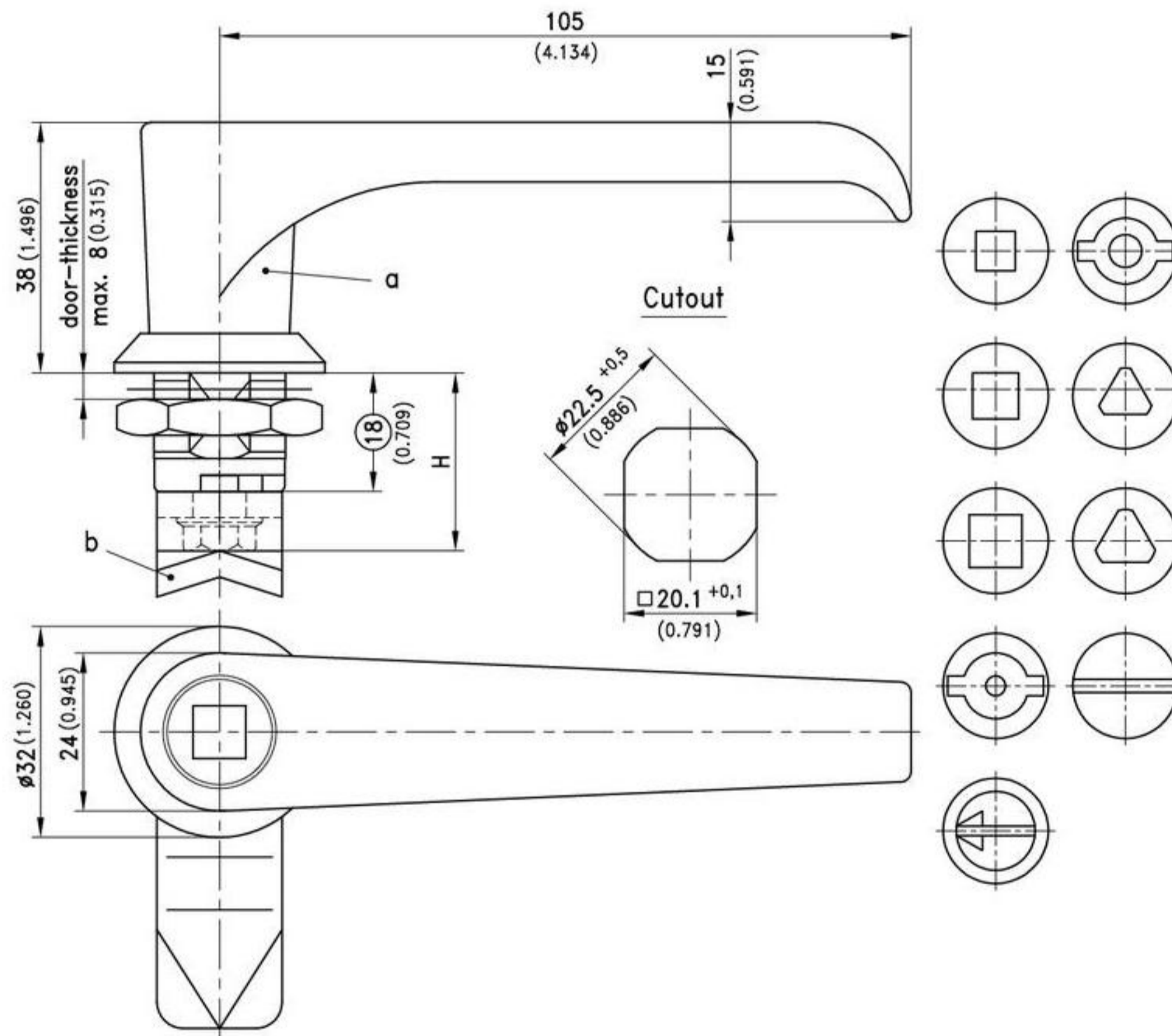


L-Handle for inserts.

- RH or LH application.
- Water- and dust-tight according to IP65 DIN EN 60529.
- The radial spring loaded insert automatically locks the handle when the handle rotates back into the closed position.
- This L-Handle consists of two basic components which can be combined to suit your application.
- On request parts can be assembled by DIRAK.
- A pre-assembled Quarter-Turn can be installed in the cutout.

**Material:**

- a)
  - **L-handle**  
PA, black with zinc die core
  - **Insert:**  
zinc die, chrome plated
  - b)
    - **Cam:**  
steel, zinc plated



a) L-Handle complete with release insert and plain grounding/earthing nut	Part No.	see page
Square 6	200-9429	
Square 7	200-9430*	
Square 8	200-9431	
Double bit 3 pin	200-9432	
Double bit 5 pin	200-9433	
Triangular 7	200-9434*	
Triangular 8	200-9435	
Slotted 2x4mm deep	200-9436	
Slotted recessed coinproof	200-9475	
* on request		02.61, 02.58
b) Cam/3-point cam		
Optional:		
c) Assembling	200-0001	
Assembling for right door	200-0019	
Assembling for left door	200-0020	
Key for insert		