

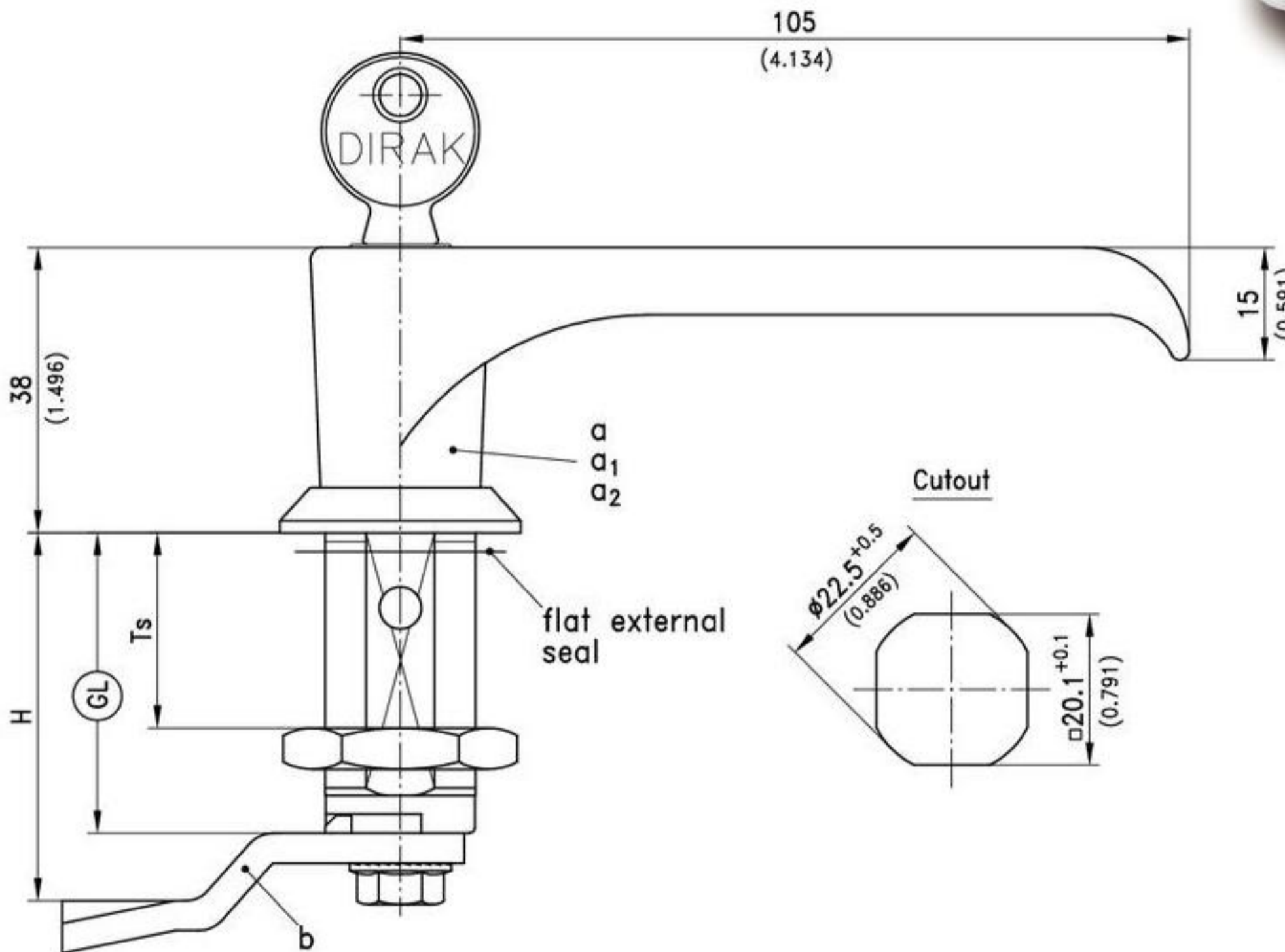
1-155.01 Quarter-Turn with Handle Pr20.1 L30-60

with cylinder



- L-Handle with extended housing and plain/grounding/earthing nut.
- Maximum door-thickness 50mm.
 - All versions of Wing-Handles are supplied complete and are water- and dust-tight according to IP65 DIN EN 60529.
 - Housings with L = 36mm on request.
 - Detailed dimensions of the handles see pages 02.48.

- Material:**
- a)
 - **Handle:** PA, black with zinc die core or zinc die, chrome plated or black coated
 - **Housing:** zinc die
 - **Flat external seal:** NBR/Perbunan, black
 - b)
 - **Cam:** steel, zinc plated



Length of 4-hole housing GL	30	40	50	60	see page
Door thickness Ts	20	30	40	50	
a) L-Handle PA, black with zinc die core					
non locking	200-9404	200-9405	200-9406	200-9414	
keyed alike DIRAK 1333*	200-9407	200-9408	200-9409	200-9415	
keyed alike DS200*	500-9407	500-9408	500-9409	500-9415	
keyed different/mixed	200-9410	200-9411	200-9412	200-9416	
a1) L-Handle zinc die, chrome plated					
non locking	200-9439	200-9440	200-9441	200-9442	
keyed alike DIRAK 1333*	200-9443	200-9444	200-9445	200-9446	
keyed alike DS200*	-	500-9444	-	-	
keyed different/mixed	200-9447	200-9448	200-9449	200-9450	
PAGODA keyed alike	501-9443	501-9444	501-9445	501-9446	
PAGODA keyed different/mixed	501-9447	501-9448	501-9449	501-9450	
a2) L-Handle zinc die, black					
non locking	200-9451	200-9452	200-9453	200-9454	
keyed alike DIRAK 1333*	200-9455	200-9456	200-9457	200-9458	
keyed alike DS200*	-	500-9456	500-9457	500-9458	
keyed different/mixed	200-9459	200-9460	200-9461	200-9462	
PAGODA keyed alike	501-9455	501-9456	501-9457	501-9458	
PAGODA keyed different/mixed	501-9459	501-9460	501-9461	501-9462	
b) Cam					
Special cams					02.58
All lockable handles supplied with two keys.					02.61
Part No. for PAGODA version with master key system on request.					
* with stainless dust-shutter					