

1-132 Quarter-Turn with Wing Pr20.1 L 18/40

for Padlock

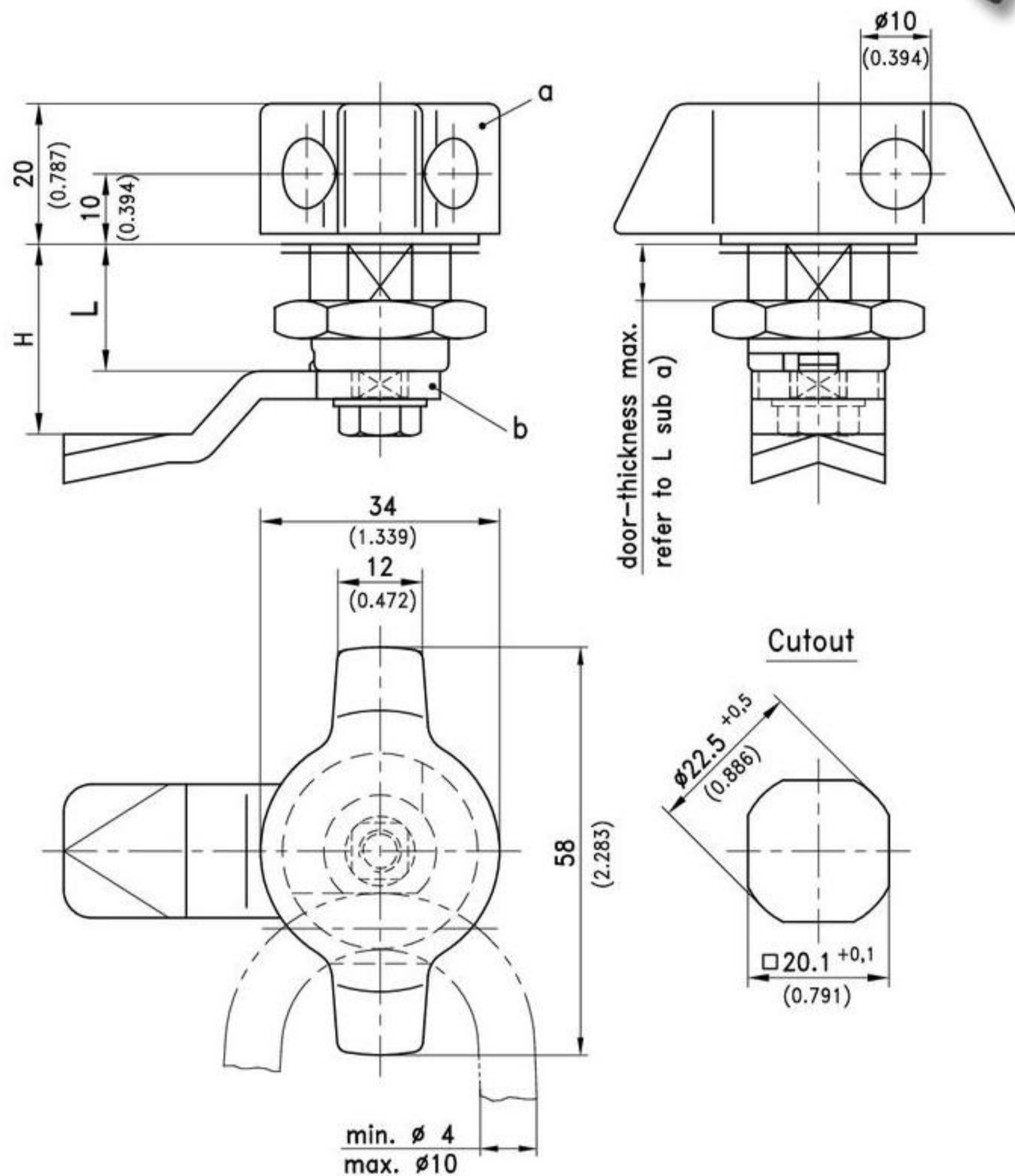


Wing handle Quarter-Turn for padlock, screw-in type, RH or LH application.

- Water- and dust-tight according to IP65 DIN EN 60529.
- The Quarter-Turn consists of two basic components which can be combined to suit your application.
- A pre-assembled Quarter-Turn can be installed in the cutout.
- **Padlock feature only if cam is at 90° to the handle.**

Material:

- a) **Wing handle:**
zinc die, chrome plated or black coated
- Housing:**
zinc die, zinc plated
- b) **Cam:**
steel, zinc plated



a) Wing Handle with plain grounding/ earthing nut	chrome plated	E-COATED black	Textured Powder black	see page
L = 18 (door thickness max. 8mm)	200-9364	200-9365	200-9365.TX	
L = 40 (door thickness max. 30mm)	100-9310	100-9311	100-9311.TX	

b) One- two- or three point cam 02.61, 02.58

Optional:

c) Assembling for right door	200-0019	200-0019	200-0019
Assembling for left door	200-0020	200-0020	200-0020

Stainless steel version 10.14