

## 1-155.02 Quarter-Turn with Wing Pr20.1 L30-60

with cylinder



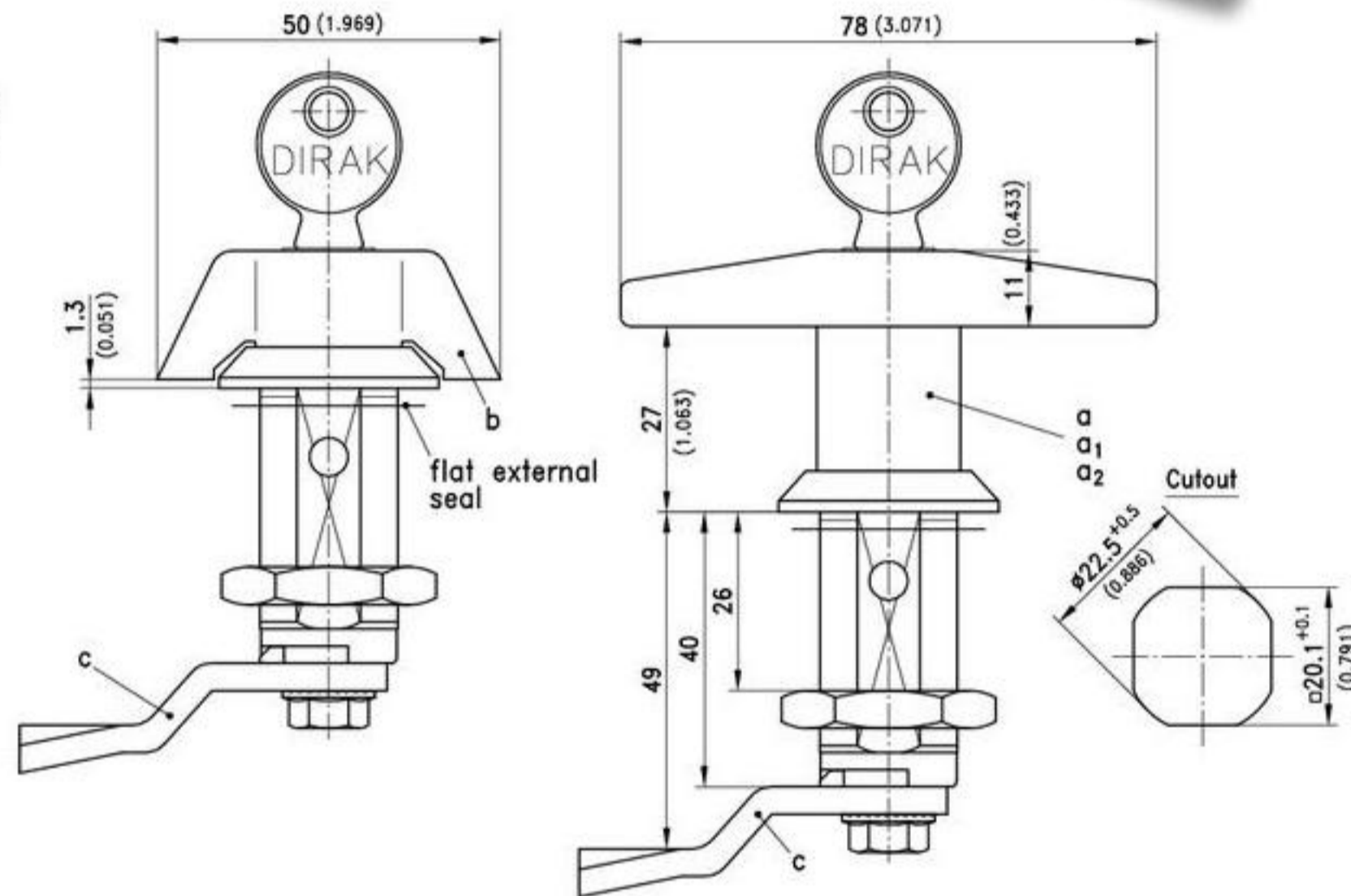
T- and Wing-Handle with extended housing and plain/grounding/earthing nut.

- Maximum door-thickness 50mm.
- All versions of Wing-Handles are supplied complete and are water- and dust-tight according to IP65 DIN EN 60529.
- Housings with L = 36mm on request.
- Detailed dimensions of the handles see pages 02.39, 02.44, 02.48.

**Material:**

- a) **Handle:**  
PA, black with zinc die core or zinc die, chrome plated or black coated

- **Housing:**  
zinc die
- **Flat external seal:**  
NBR/Perbunan, black
- b) **T-Handle:**  
PA, black with zinc die core
- **Housing:**  
zinc die, black
- c) **Cam:**  
steel, zinc plated



Length of 4-hole housing GL	30	40	50	60	see page
Door-thickness Ts	20	30	40	50	
<b>a) T-Handle PA, black with zinc die core</b>					
non locking	200-9310	200-9311	200-9312	200-9346	
keyed alike DIRAK 1333*	200-9313	200-9314	200-9315	200-9347	
keyed alike DS200*	500-9313	500-9314	500-9315	500-9347	
keyed different/mixed	200-9316	200-9317	200-9318	200-9348	
<b>a1) T-Handle zinc die, chrome plated</b>					
non locking	200-9334	200-9335	200-9336	200-9343	
keyed alike DIRAK 1333*	200-9337	200-9338	200-9339	200-9344	
keyed alike DS200*	500-9337	500-9338	500-9339	500-9344	
keyed different/mixed	200-9340	200-9341	200-9342	200-9345	
PAGODA keyed alike	501-9337	501-9338	-	-	
<b>a2) T-Handle zinc die, black</b>					
non locking	200-9352	200-9353	200-9354	200-9355	
keyed alike DIRAK 1333*	200-9356	200-9357	200-9358	200-9359	
keyed alike DS200*	500-9356	-	-	-	
keyed different/mixed	200-9360	200-9361	200-9362	200-9363	
PAGODA keyed alike	501-9356	-	-	-	
PAGODA keyed different/mixed	501-9360	-	-	-	
<b>b) Wing handle complete</b>					
non locking	200-9322	200-9323	200-9324	200-9349	
keyed alike DIRAK 1333*	200-9325	200-9326	200-9327	200-9350	
keyed alike DS200*	500-9325	500-9326	500-9327	500-9350	
keyed different/mixed	200-9328	200-9329	200-9330	200-9351	
<b>c) Cam</b>					
Special cams					02.58
					02.61

All lockable handles supplied with two keys.  
Part No. for PAGODA version with master key system on request.  
\* with stainless dust-shutter