

1-130 Quarter-Turn with Wing Pr20.1 L18

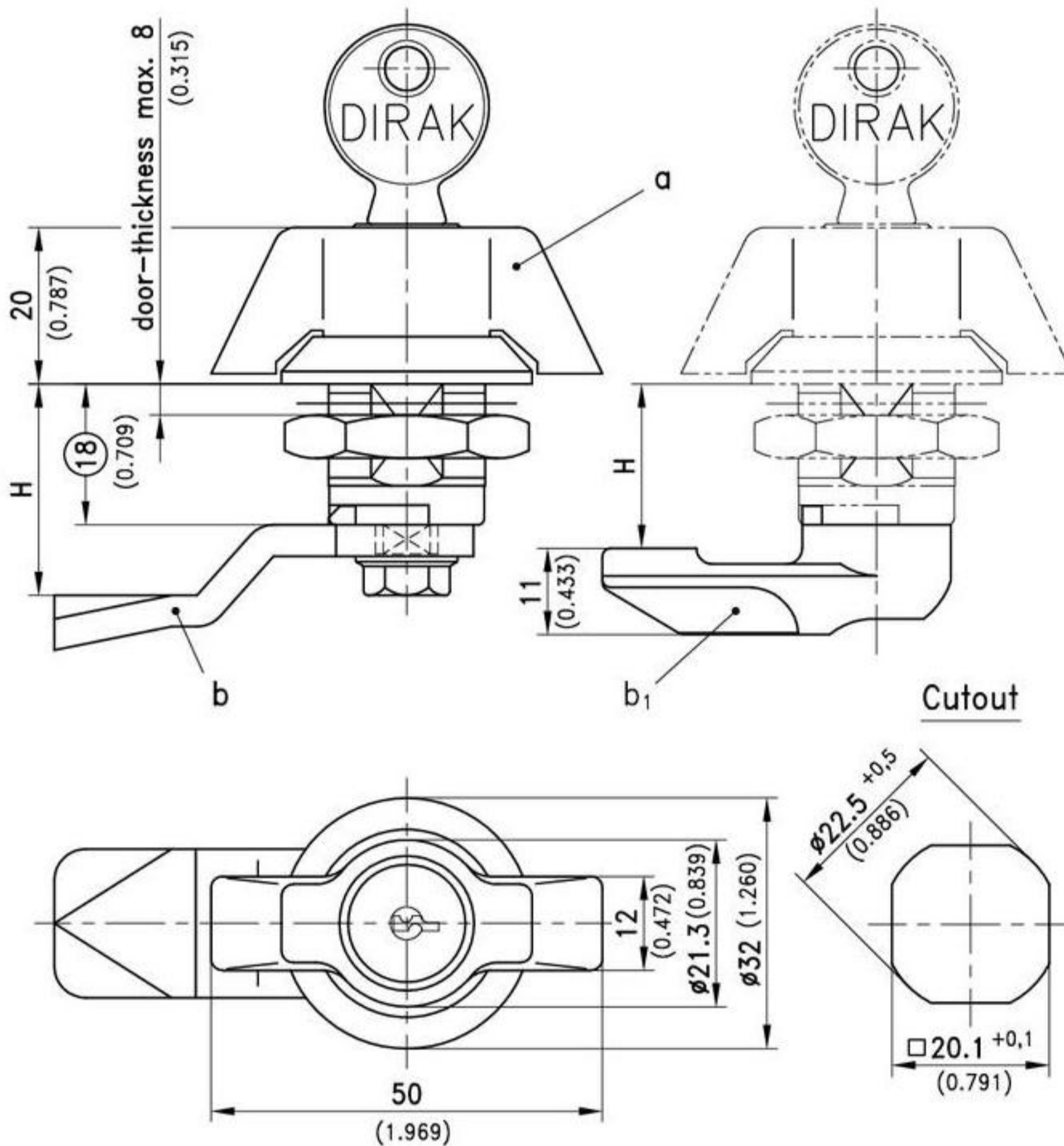
with cylinder



Wing handle Quarter-Turn, RH or LH application.

Material:
refer to descriptions listed

- The Quarter-Turn consists of two basic components which can be combined to suit your application.
- On request parts can be assembled by DIRAK.
- A pre-assembled Quarter-Turn can be installed in the cutout.



	non locking (with blank)	keyed alike DIRAK 1333	keyed alike DS200	keyed different/mixed	see page
a) Wing Handle consisting of:	200-9301*	200-9302**	500-9302**	200-9303**	
- Handle part PA (black) with zinc die core					
- Cylinder/barrel, zinc die (chrome plated)					
- or plug PA (black)					
- Housing zinc die (black)					
- Plain/ grounding/earthing nut: zinc die					
a1) Wing handle as a), but handle, housing, barrel or plug made of PA (black)					
nut steel (zinc plated)	200-9368*	200-9369*	-	200-9370*	
nut PA (black)	200-9371*	200-9372*	-	200-9373*	
b) Cam steel (zinc plated)					02.61, 02.58
b1) Cam PA (black)					02.30
Optional:					
c) Assembling	200-0001	200-0001	200-0001	200-0001	
Assembling cam 90° to wing knob without O-ring	200-0019	200-0019	200-0019	200-0019	

* Water-and dust-tight according IP65

** With stainless dust-shutter