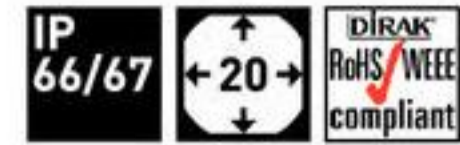


7-080 Quarter-Turn Pr20.1 L18

stainless steel AISI 316

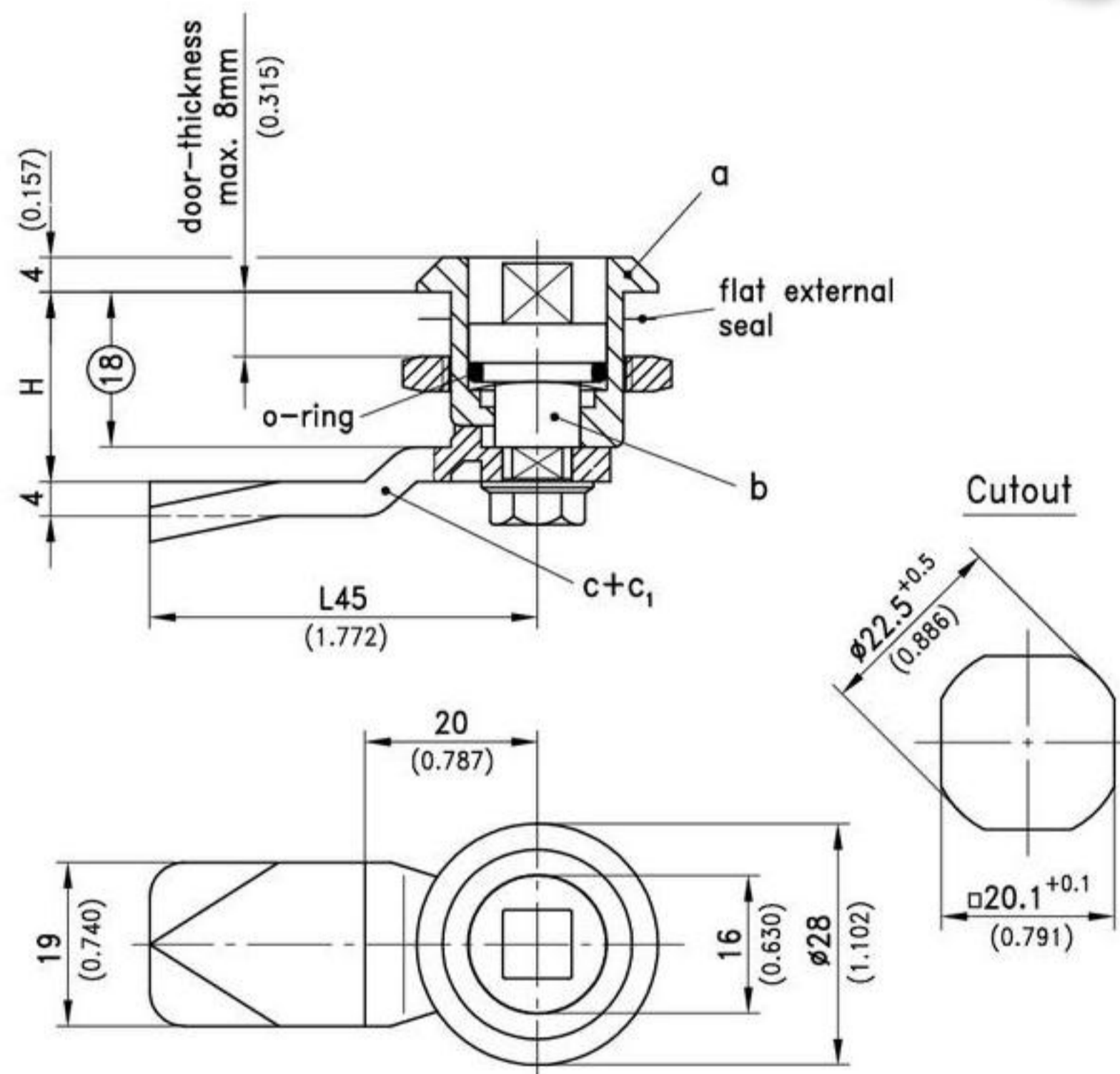


Quarter-Turn, RH or LH application.

- Water- and dust-tight according to IP65 DIN EN 60529.
- For IP66/67 use additional O-Ring.
- This Quarter-Turn consists of three basic parts which can be combined to suit your application.
- On request parts can be assembled by DIRAK.
- A pre-assembled Quarter-Turn can be installed in the cutout.

Material:

- **Housing:**
stainless steel and PA, black
- **Grounding/Earthing nut, Grounding/Earthing clip and cam:**
stainless steel
- **Insert:**
stainless steel or stainless steel and PA



a) Housing with single sided grounding/earthing nut and flat external seal	see page
AISI 316	200-9043
PA, black	200-9044
PA with grounding/earthing clip	200-9064
b) Insert with screw wave washer and O-ring	
Square 6	200-9146
Square 7	200-9119
Square 8	200-9120
Triangular 7	200-9121
Triangular 8	200-9122
Double bit 3	200-9123
Double bit 5	200-9124
Slotted 2x4 deep	200-9151
*Star knob	200-9125
*Wing knob	200-9179
7/16" hex.	200-9192
Socket hex. 8 (5/16")	200-9195
Socket hex. 8 (5/16") with pin	100-9118
*Stainless steel core/insert with PA knob	
For IP66/67 use additional O-ring.	200-1002
Key for insert	09.8
Dust cap	02.80

c) Cams L45 / 1.772	H in mm / inch	
	6 / 0.236	200-0506
	8 / 0.315	200-0508
	10 / 0.394	200-0510
	14 / 0.551	200-0514
	16 / 0.630	200-0516
	18 / 0.709	200-0518
	20 / 0.787	200-0520
	22 / 0.866	200-0522
	24 / 0.945	200-0524
	26 / 1.024	200-0526
	28 / 1.102	200-0528
	32 / 1.260	200-0532
	50 / 1.969	200-0550
c1) Cams L35 / 1.378	H in mm / inch	
	20 / 0.787	200-4535.00-00020
	22 / 0.866	200-4535.00-00022*
d) Assembling of cam		200-0002

*Price and delivery zime on request