

1-210 Quarter-Turn Pr20.1 L18

with Tapered Insert

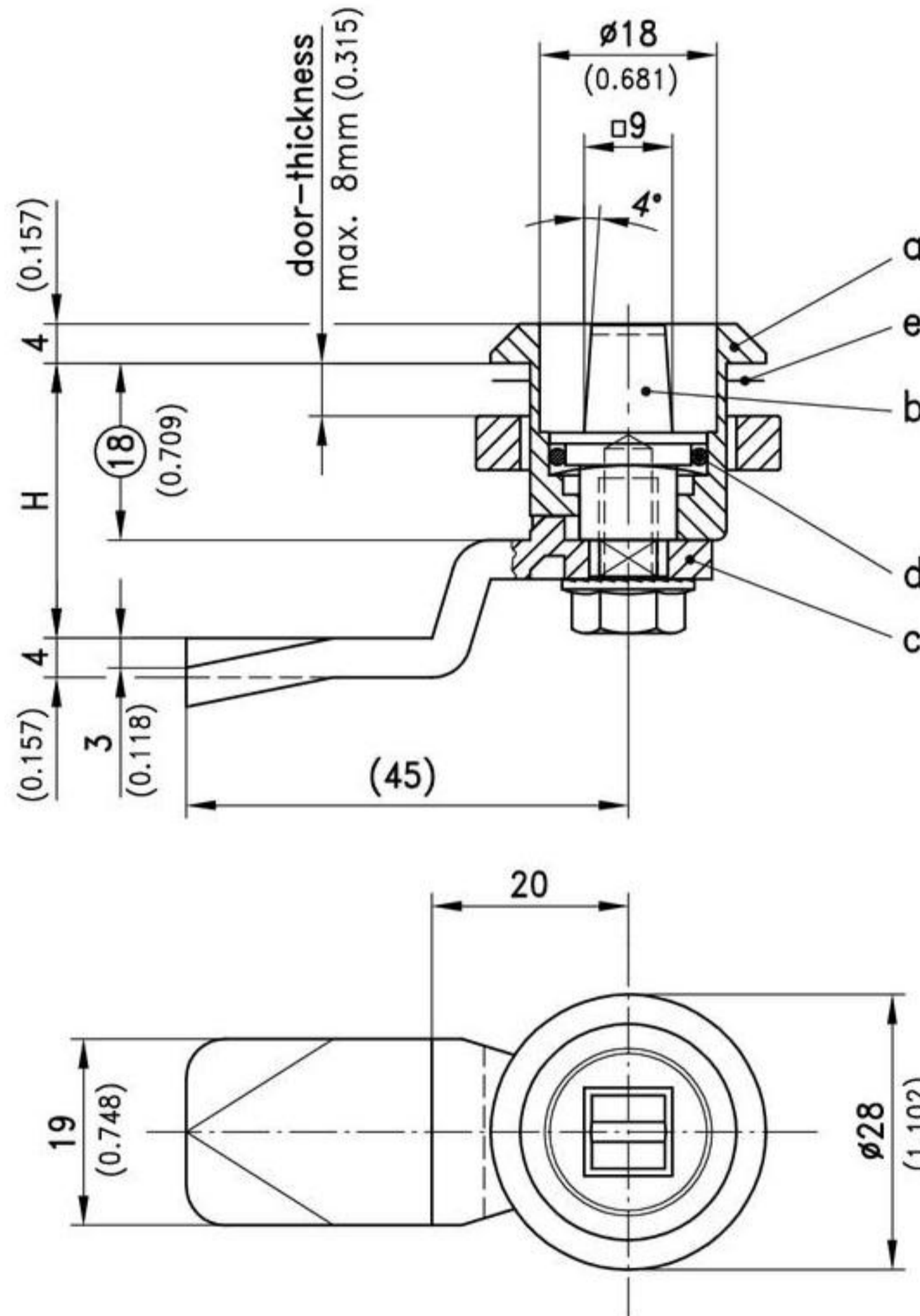


Quarter-Turn with with Tapered Insert, operated by a so-called „Bern“ key.

- This Quarter-Turn consists of three basic parts which can be combined to suit your application.
- On request parts can be assembled by DIRAK.
- A pre-assembled Quarter-Turn can be installed in the cutout.

Material:

- a) **Housing:**
zinc die, chrome plated or black coated
- b) **Insert:**
steel, zinc plated, zinc die, chrome plated
- c) **Cam:**
steel, zinc plated



a) Housing with nut	zinc die, chrome plated	zinc die, black	see page
	200-9065	200-9086	
Housings with longer bodies and different head diameters on request.			
b) Insert steel (zinc plated)	200-9175	200-9175	
b1) Insert zinc die (chrome plated)	200-9138	200-9138	
c) Cam			02.58, 02.61
Optional:			
d) O-Ring	200-1001	200-1001	
e) Flat external seal	200-0901	200-0901	
f) Assembling	200-0001	200-0001	
Assembling with O-Ring	200-0002	200-0002	