

1-115 Handle for Quarter-Turn

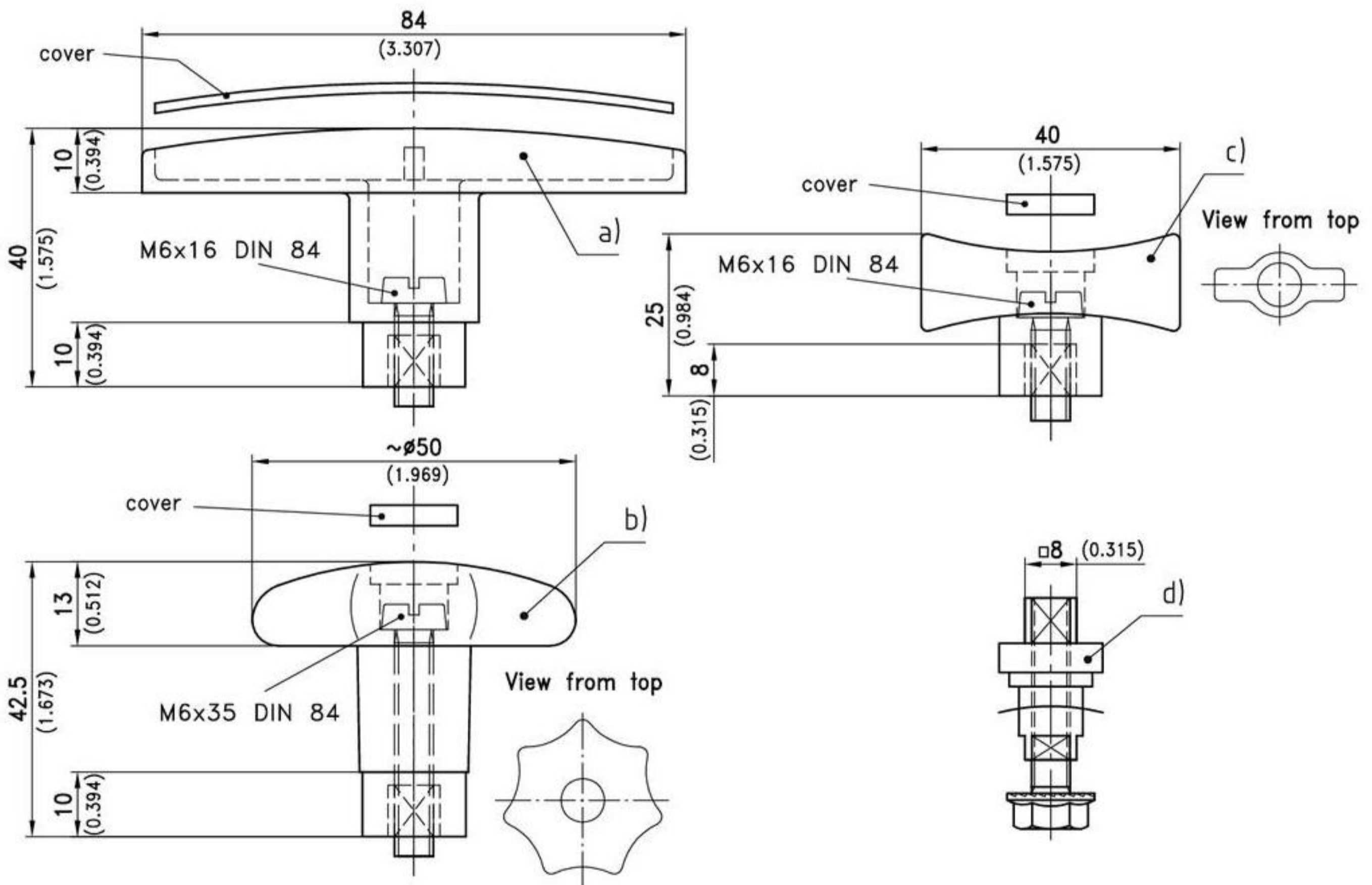
assembled afterwards



- The shown Knobs and Handles for Quarter-Turns, can be assembled afterwards for easier transport and packaging (flush).
- All screws are included.

Material:

- **Handle:** PA, black
- **Basic insert:** zinc die, zinc plated



	Part No.
a) T-Handle with cover and screw	200-9134
b) Star knob with cover and screw	200-9135
c) Wing-Knob with cover and screw	200-9136
d) Please order separately:	
Basic insert with internal M6 thread at both ends.	200-9137