



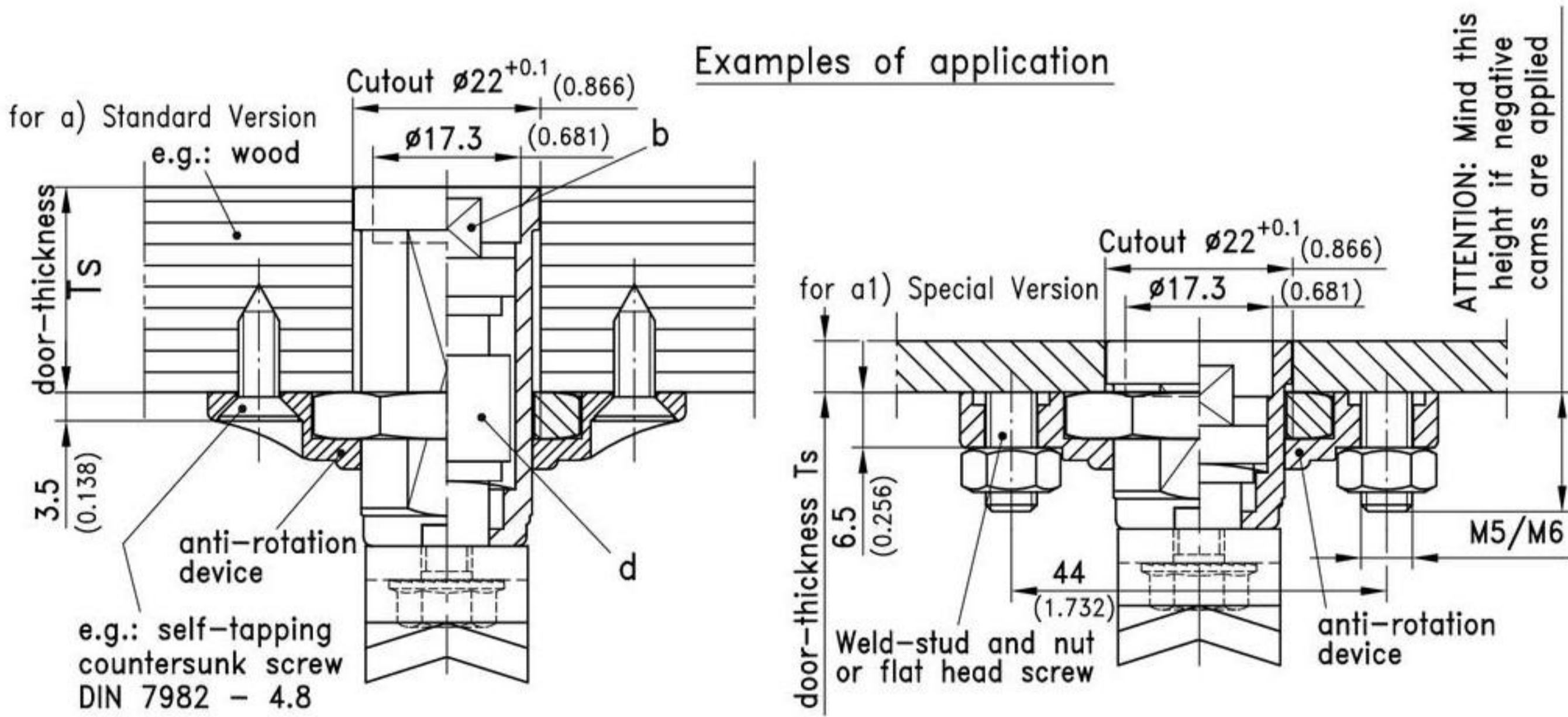
1-112 Flush Quarter-Turn L22-66

Flush Quarter-Turn with extended housing, RH or LH application.

- The Quarter-Turn consists of three basic components a, b and c, which can be combined to suit your application.
- The Quarter-Turn has absolutely no protrusion on the outside.
- With the nut, the housing is put exactly into position and secured with the anti-rotation device.
- In conjunction with the stop plate, stop less constructions with aluminum profiles and/or with flat components can be latched perfectly.

Material:

- a) **Housing:**
zinc die, chrome plated or black coated
- Anti-rotation device:**
zinc die, zinc plated
- Nut:**
steel, zinc plated
- b) **Insert:**
zinc die, chrome plated or black coated or PA, black with zinc die core
- c) **Cams:**
steel, zinc plated
- d) **Adapter:**
zinc die, untreated
- f) **Stop plate:**
zinc die, black



a) Housing with nut and anti-rotation device		zinc die, chrome plated	zinc die, black	Adapter d) with screw	see page
GI	Ts max.				
22	7	200-9088	200-9089	-	
36	21	200-9090	on request	200-9031	
42	27	200-9092	on request	200-9032	
46	31	200-9094	on request	200-9033	
56	41	200-9096	on request	200-9034	
66	51	200-9098	on request	200-9035	
a1) Housing a) but with nut M5/M6 (weld-stud) or flat-head screw on request.					
b) Insert					02.34
Optional:					
c) Cam					02.58
e) Assembling		200-0003	200-0003		
f) Stop plate		265-3001.02	265-3001.02		
The anti-rotation device can also be ordered separately.		200-4609	200-4609		

1-112 Flush Quarter-Turn L22-66

