

### 1-110 Quarter-Turn Pr20.1 L30-60

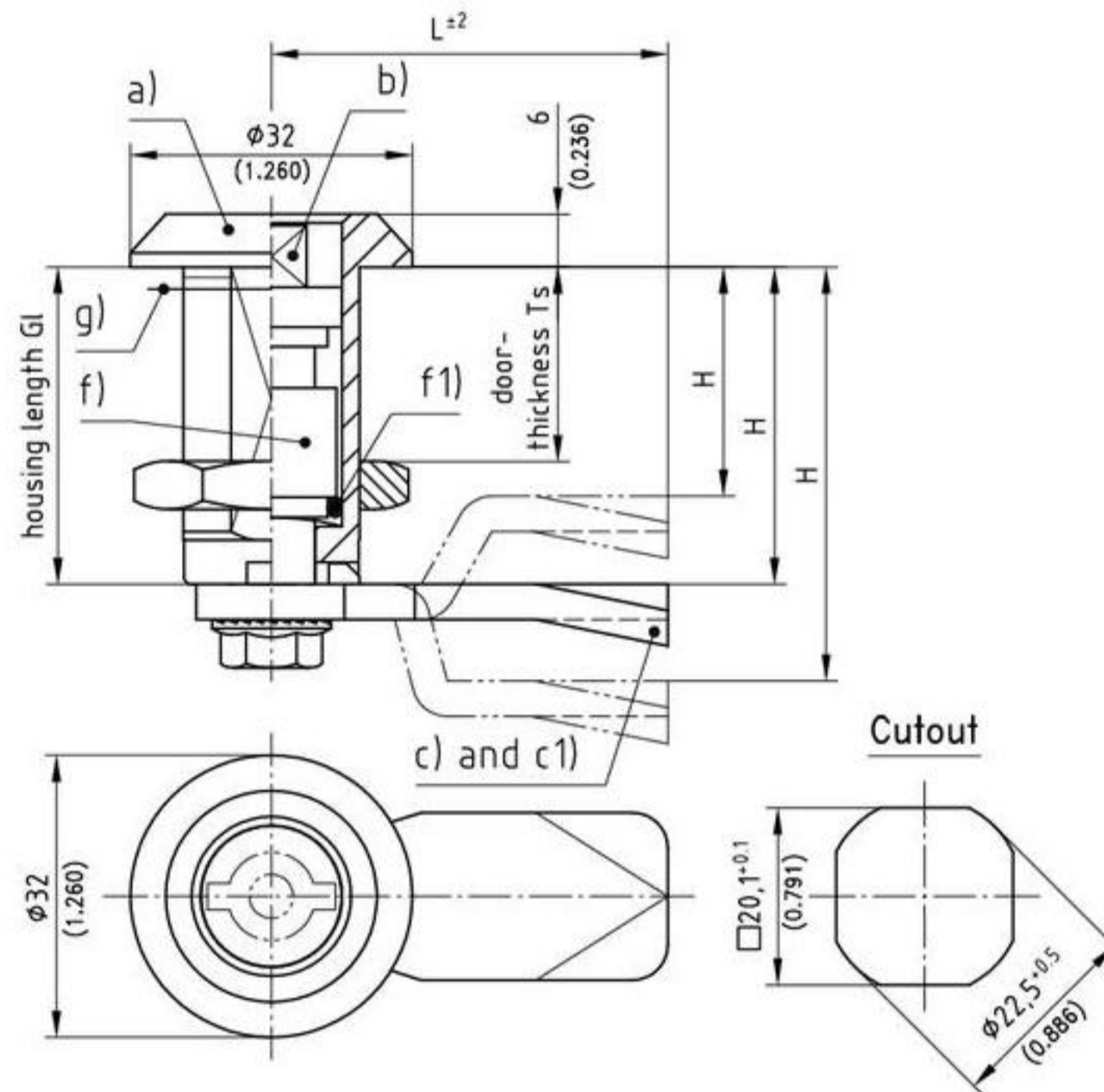
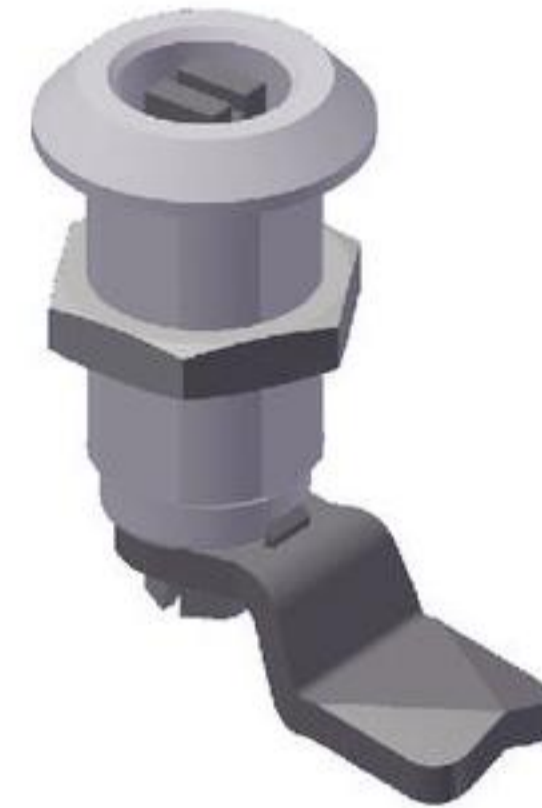


Quarter-Turn with extended bodies, RH or LH application.

- The Quarter-Turn consists of three basic components a, b and c, which can be combined to suit your application.
- On request parts can be assembled by DIRAK.
- By using inserts the adapter is optional, by using knobs the adapter is necessary.

**Material:**

- Housing:** zinc die, chrome plated or black coated
- Nuts:** steel, zinc plated
- Grounding/Earthing nut and adapter:** zinc die, natural
- Grounding/Earthing clip:** stainless steel



a)	GL	TS max.	Housing	Zinc die, chrome plated	zinc die, black	Adapter f) with screw	see page
	30	20	with nut	200-9011	200-9013	200-9031	
	30	20	with grounding/earthing nut	200-9012	200-9014	200-9031	
	36	26	with nut	200-9015	200-9017	200-9032	
	36	26	with grounding/earthing nut	200-9016	200-9018	200-9032	
	40	30	with nut	200-9019	200-9021	200-9033	
	40	30	with grounding/earthing nut	200-9020	200-9022	200-9033	
	50	40	with nut	200-9023	200-9025	200-9034	
	50	40	with grounding/earthing nut	200-9024	200-9026	200-9034	
	60	50	with nut	200-9027	200-9029	200-9035	
	60	50	with grounding/earthing nut	200-9028	200-9030	200-9035	
b) Inserts							02.34
c) Cams							02.58
c1) Special cams							02.60, 02.61, 02.62
Assembling cam 90° to wing knob without O-ring				200-0019	200-0019	200-0019	
Assembling cam 90° to wing knob with O-ring				200-0021	200-0021	200-0021	
d) Key							09.8
e) Other accessories							02.80, 02.81, 02.36
<b>Optional:</b>							
f1) O-Ring for IP65				839-3771.00-00935	839-3771.00-00935	839-3771.00-00935	
g) Flat external seal				200-0901	200-0901	200-0901	
Assembling				200-0003	200-0003	200-0003	
Assembling with O-ring				200-0004	200-0004	200-0004	