

# 1-095 Quarter-Turn Pr20.1 L18

Polyamide

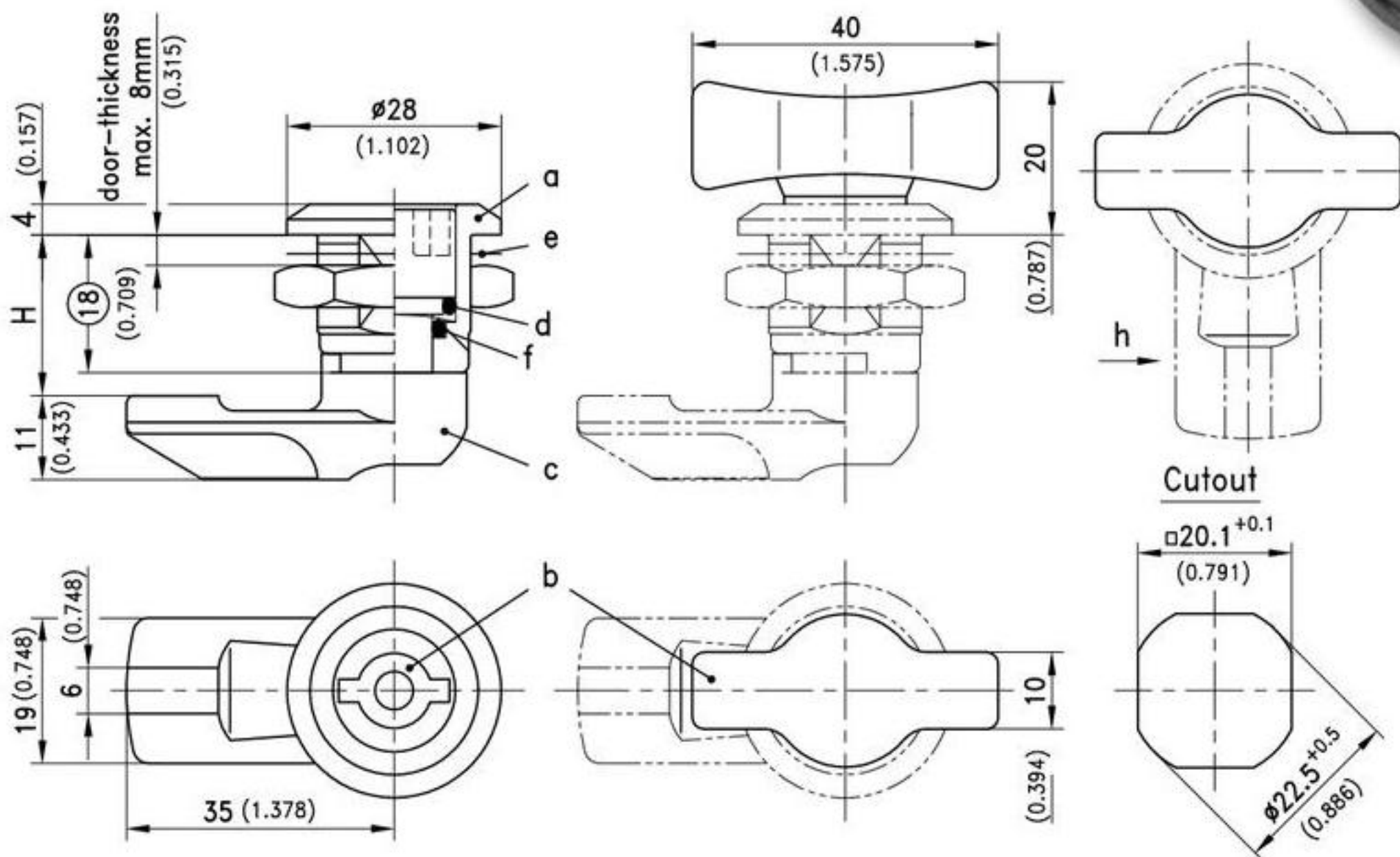


Polyamide Quarter-Turn

- Double insulated.
- RH or LH application.
- Pre-assembling by DIRAK is advisable.
- A pre-assembled Quarter-Turn can be installed in the cutout.

Material:

- **Housing, insert and cam:**  
PA, black



a) Housing	Part No.	see page
z) with nut PA (black)	200-9077	
a) with nut steel (zinc plated)	200-9003	
a) with nut stainless steel	200-9044	
b) Insert		
Square 7	200-9155	
Square 8	200-9156	
Triangular 8	200-9158	
Double bit 3 pin	200-9159	
Double bit 5 pin	200-9160	
Slotted 2x4mm deep	200-9161	
Wing knob	200-9173	
Slotted recessed coinproof	200-9186	
Crescent Czech	200-9184	
c) Cam (further cams on request)	H in mm	
	18	200-5318
	20	200-5320
	22	200-5322
	25	200-5325
	28	200-5328
c1) Cam, steel zinc plated		02.58
Optional:		
Water- and dust-tight according to IP65 by:		
O-Ring	200-1001	
e) Flat external seal	200-0901	
d) For IP66/67 use additional O-Ring.	200-1002	
f) Assembling	200-0001	
Assembling with O-ring	200-0002	
g) Assembling cam 90° to wing knob without O-ring	200-0019	
Assembling cam 90° to wing knob with O-ring	200-0021	