

## 1-270 Dustcap and Finger Pull



Finger pull for Quarter-Turns.

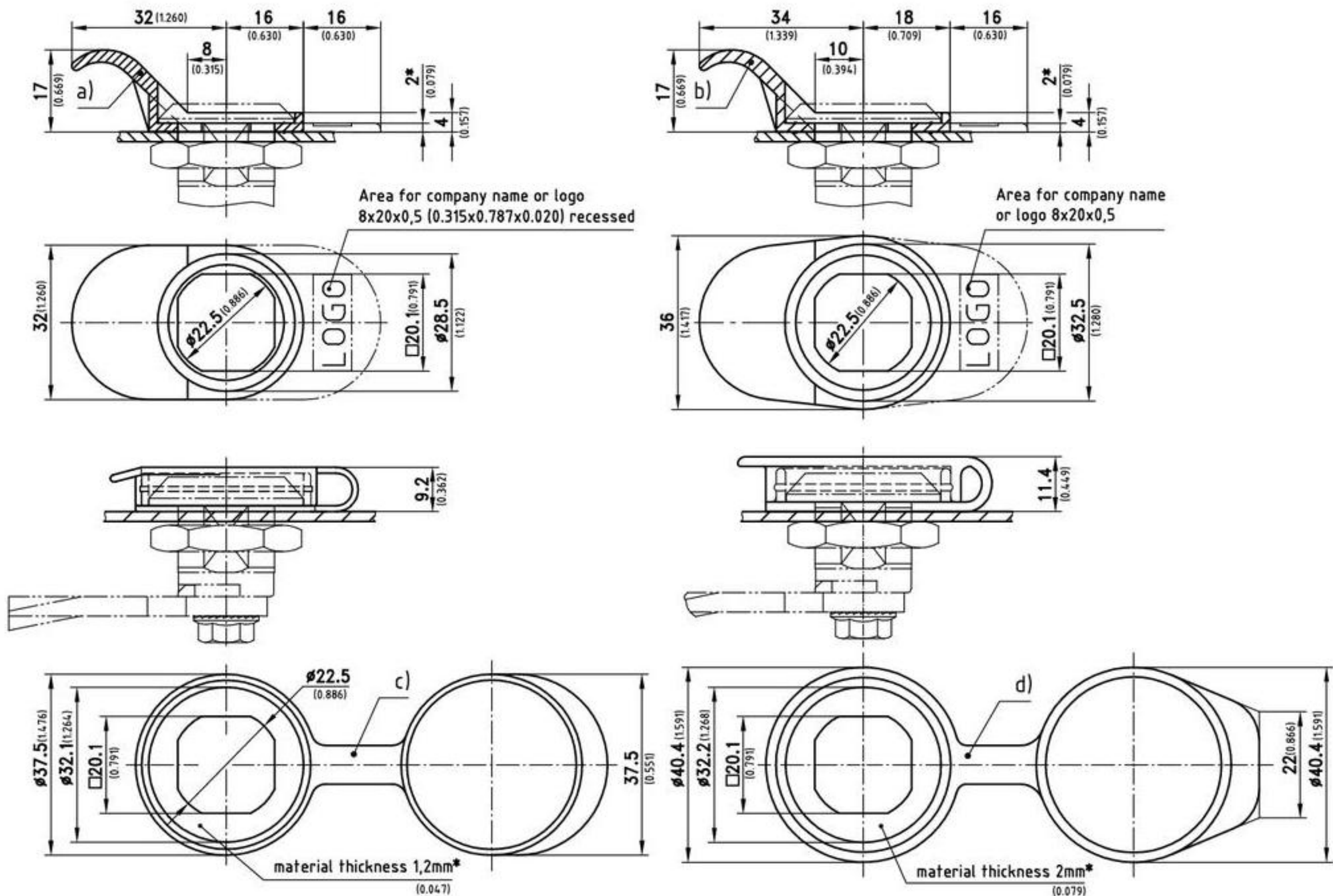
- For bezel Ø28mm or Ø32mm.
- Without area for company name or logo
- With area for company name or logo
- With logo on request.
- Black, other colours on request
- See page 02.24, 02.30, 02.26, 02.37 and 02.38.

**Material:**

- **Finger pull:**  
PA, black
- **Dustcap:**  
PP, black or TPU, black

**Dustcap:**  
For bezel Ø28mm or Ø32mm.  
to use for in- and outdoor  
Material PP or TPU

- **Advantage of version with TPU:**
- Temperature range from -40° to +80°C
- Excellent resistance to pure mineral oils and greases
- Suitable for temperate climate zones
- See page 02.21, 02.24, 02.30, 02.26, 02.31, 02.37, 02.38, 02.64, 02.70, 10.09 and 10.10.



	Part No.
a) Finger pull PA, black for Bezel Ø28 without area for company name or logo	200-4703.03
with area for company name or logo	200-4704.03
b) Finger pull PA, black for bezels Ø32 without area for company name or logo	200-4705.03
with area for company name or logo	200-4706.03
c) Dustcap PP, black	200-4101
d) Dustcap TPU, black	200-4103

\*Please note: By using a finger pull or dust cap 200-4103 H-dimensions changes by 2 mm (0.079").  
While using the dustcap 200-4101 the H-dimensions changes by 1.2mm (0.047").