

1-262 Cam with ramp

Cams with or without ramp

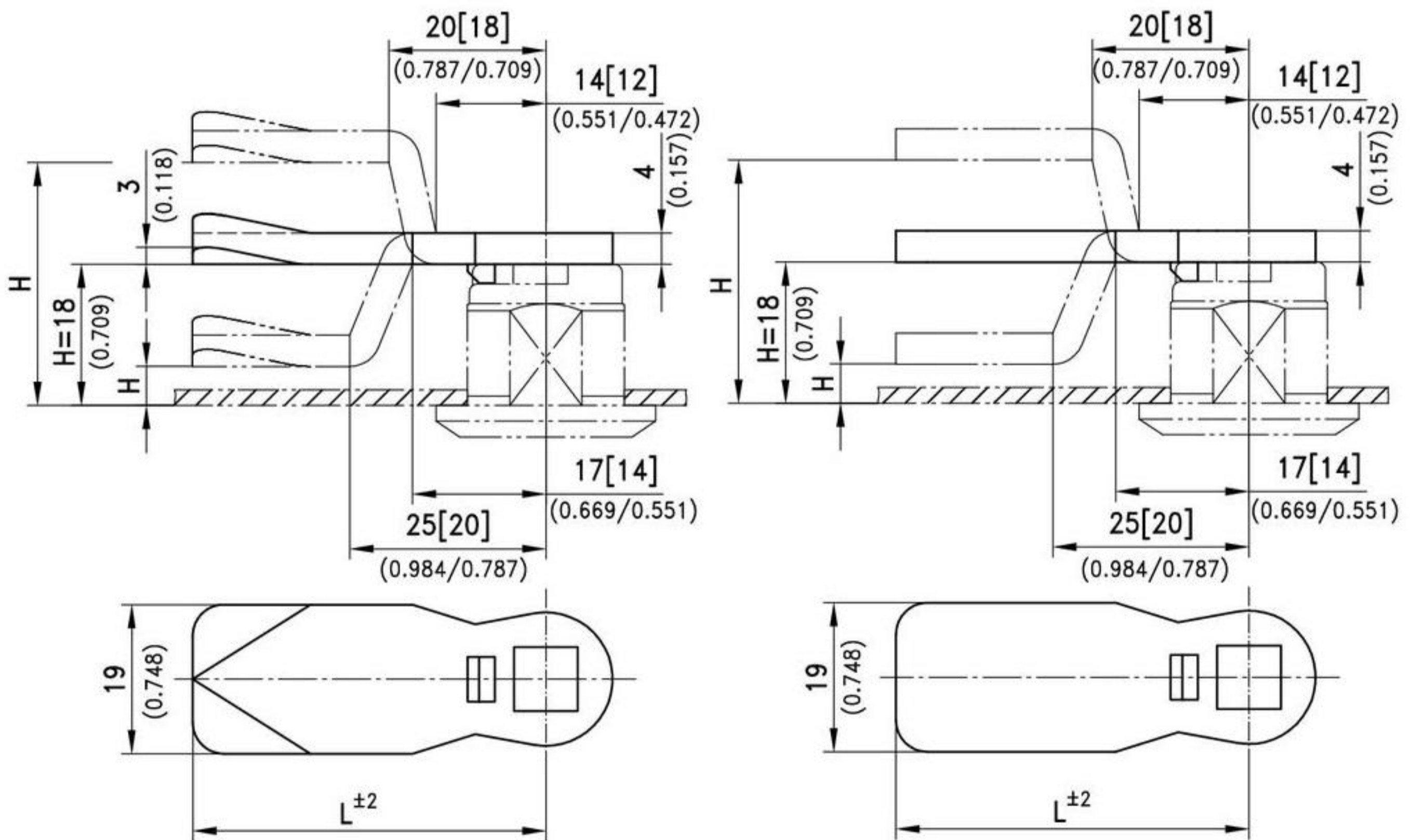


Special cams for Quarter-Turn series 200.

Material:
• Cams:
steel, zinc plated



The dimensions in [] brackets apply to cams with L-dimensions < 45mm.



	L and H in mm	Part No.
a) cam with ramp and L- and H-dimensions variable	Example for cam with ramp, with L=40 and H=20: 200-4440.00-00020	200-44LL.00-000HH
b) cam without ramp and L- and H-dimensions variable	Example for cam without ramp, with L=40 and H=20: 200-5440.00-00020	200-54LL.00-000HH

Minimum order quantity, price and delivery time on request.