

# 1-250 Pull and Lock Hook

with compression

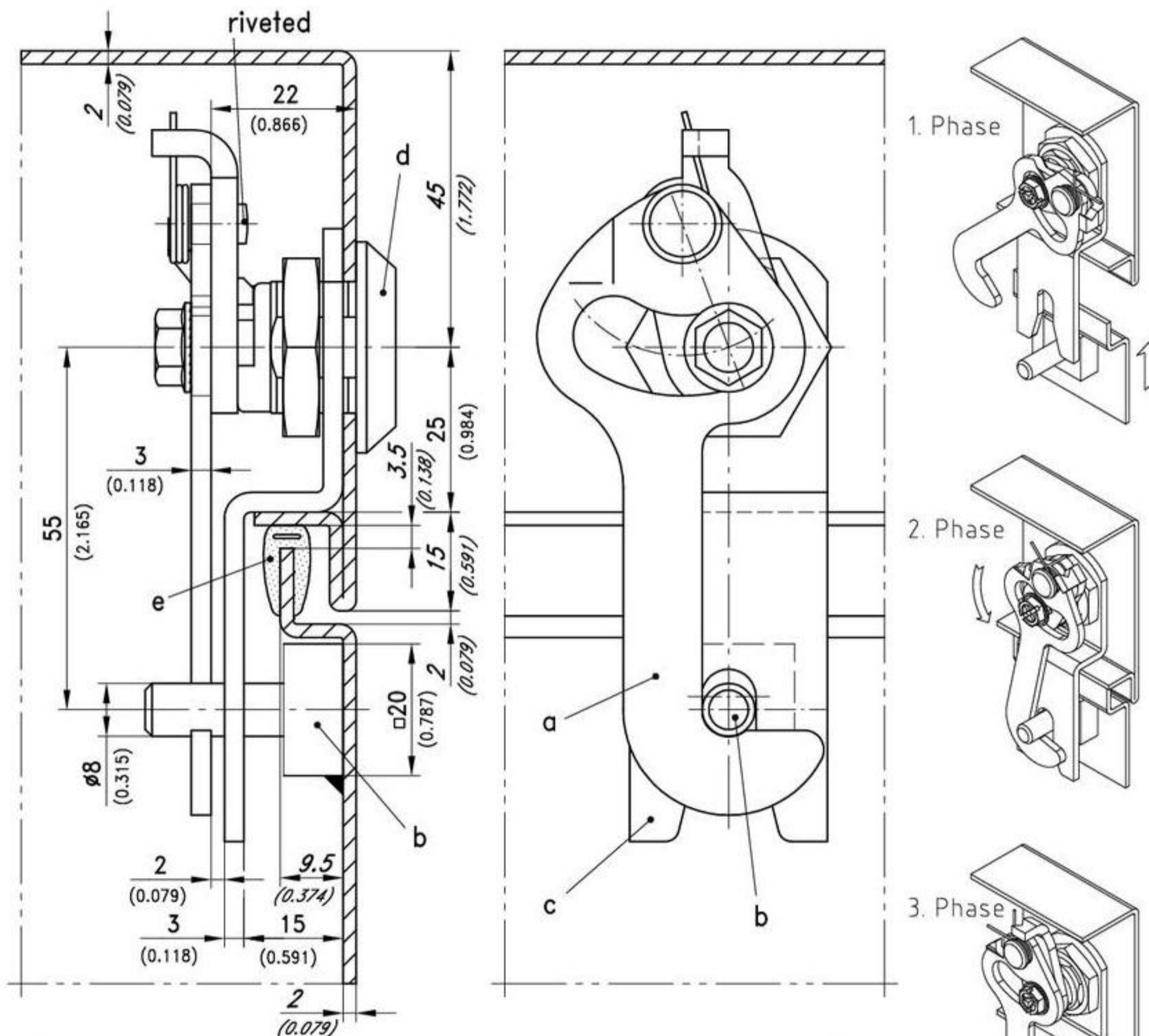


- Pull and lock hook with compression
- 5mm compression/pulling distance.
  - With 90° stroke.
  - Vibration-proof.
  - Latching direction is always clockwise.
  - The extremely positive torque ratio allows for controlling this hook-latch by a cylinder latch.
  - Very suitable for applications on 19" racks and sliding doors.

- This device can be operated by all Quarter Turns or handles on page 02.26, 02.37 to 02.51.

**Material:**

- a) **Pull and lock hook**  
steel, zinc plated
- b) **Weld-on pin:**  
steel, zinc plated
- c) **Line-up fork:**  
steel, zinc plated



The latching- and compression process has 3 phases:  
 1. phase: Open position.  
 2. phase: Hook catches behind the frame pin and continuing the closing rotation, the hook is then being pulled automatically against the frame pin. The pulling stroke is 5mm.  
 3. phase: At the end of rotation process the hook has a vibration proof latch behind the frame pin.

Version	Part No.	see page
a) Pull and lock hook	200-9602	
b) Weld-on pin for pull-and-lock hook	200-3704	
Please order separately:		
c) Line-up fork	200-3703	
d) Housings and inserts or handles		02.26, 02.37
e) e.g. Clip-on profiles	209-0302	07.9