

# 1-190 Rod Guides

for Round Rods.

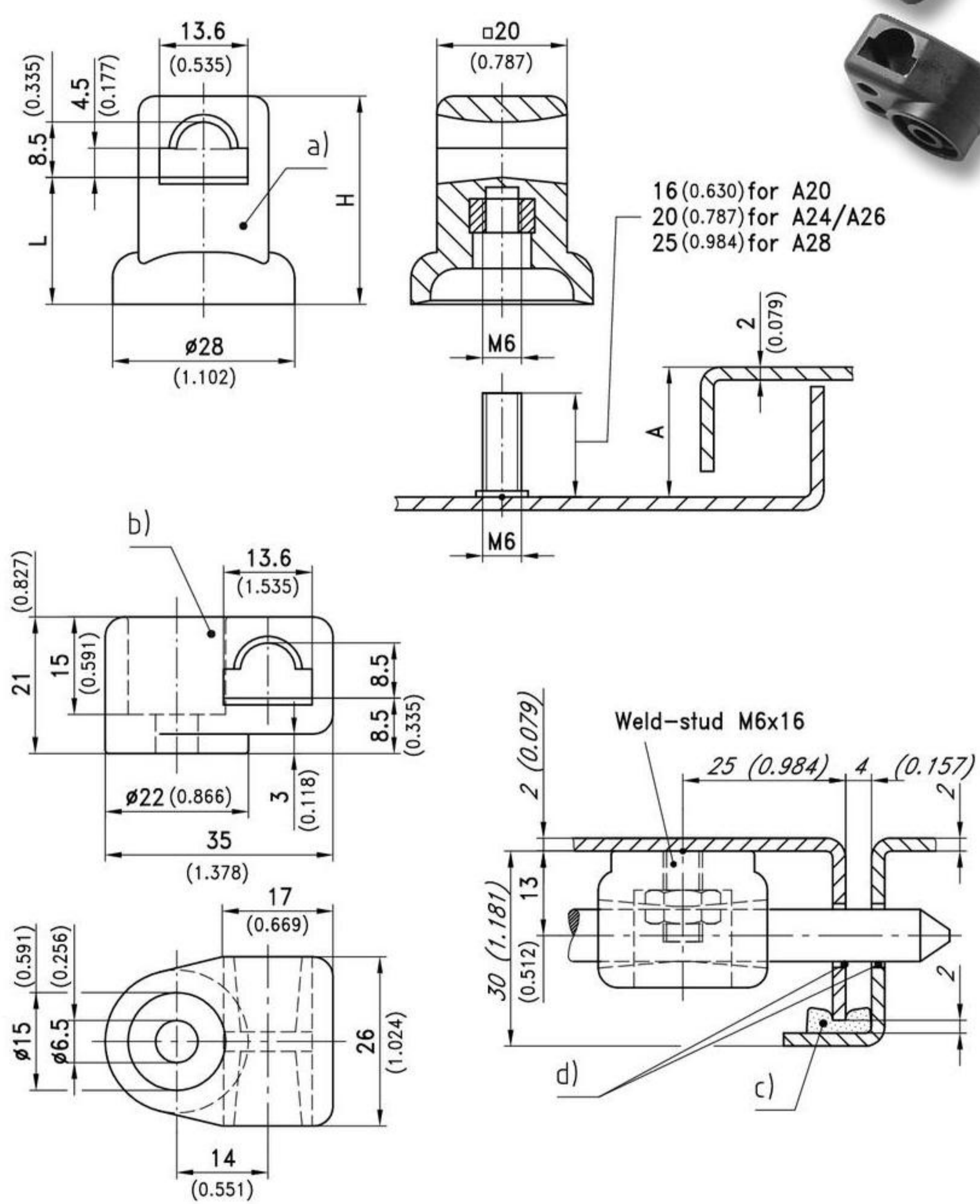


Rod guide for 8mm round rods.

- Screwed onto a weld stud.
- The round shape of the hole allows free swivelling even with very short rods.

**Material:**

PA, black or grey



16 (0.630) for A20  
20 (0.787) for A24/A26  
25 (0.984) for A28

a) Rod Guide Bending	L in mm/inch	H in mm/inch	PA, black	PA, grey RAL 7001	see page
A 20	19,5 / 0.768	32 / 1.260	200-3601.03	-	
A 24	23,5 / 0.925	36 / 1.417	-	200-3610.06-07001	
A 26	25,5 / 1.004	38 / 1.496	200-3602.03	-	
A 28	27,5 / 1.083	40 / 1.575	-	200-3611.06-07001	
b) Rod Guide			200-3606.03		
c) i.e. Rectangular Profiles					07.12
d) Bushing					09.6