

7-072 Dish handle PrA

stainless steel, ASI 316Ti, cast

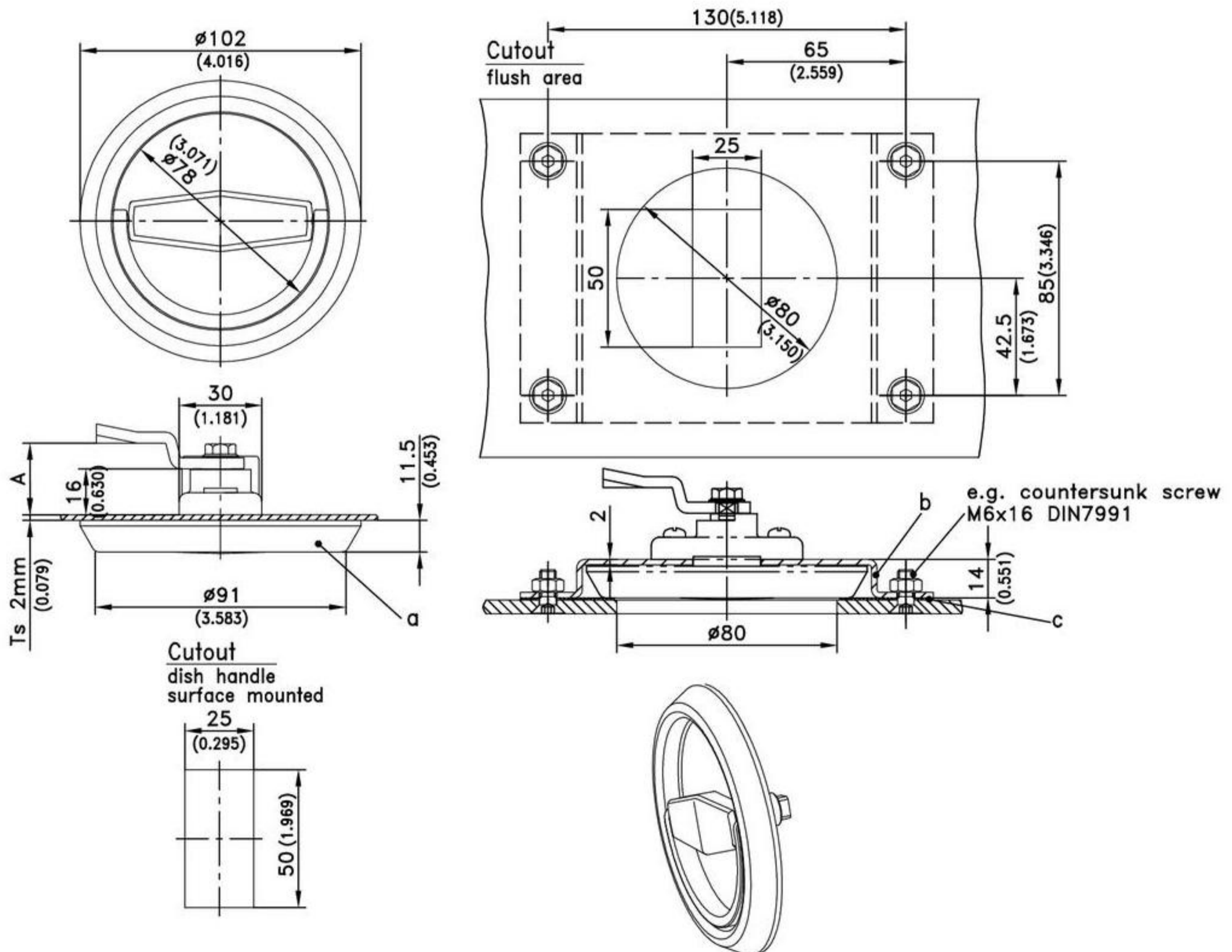


Dish handle for 2- or 3-point cam.

- Water- and dust-tight according to IP65 DIN EN 60529.
- Properties of material AISI 316 Ti: The titanium increases even further the corrosion resistance particularly the intercrystalline corrosion at the grain boundaries.

Material:

- **Dish handle and adapter bracket:** stainless steel, cast
- **Flat external seal:** Inducon



	Part No.	see page
a) Dish handle with O-rings (IP65) Cams/3-point cams	208-9638	10.10, 10.12
Optional for flush area mounting:		
b) Adapter bracket	207-3605.90	
c) Flat external seal	200-0905	