

1-107 Quarter-Turn Pr20.1 L18

Softline

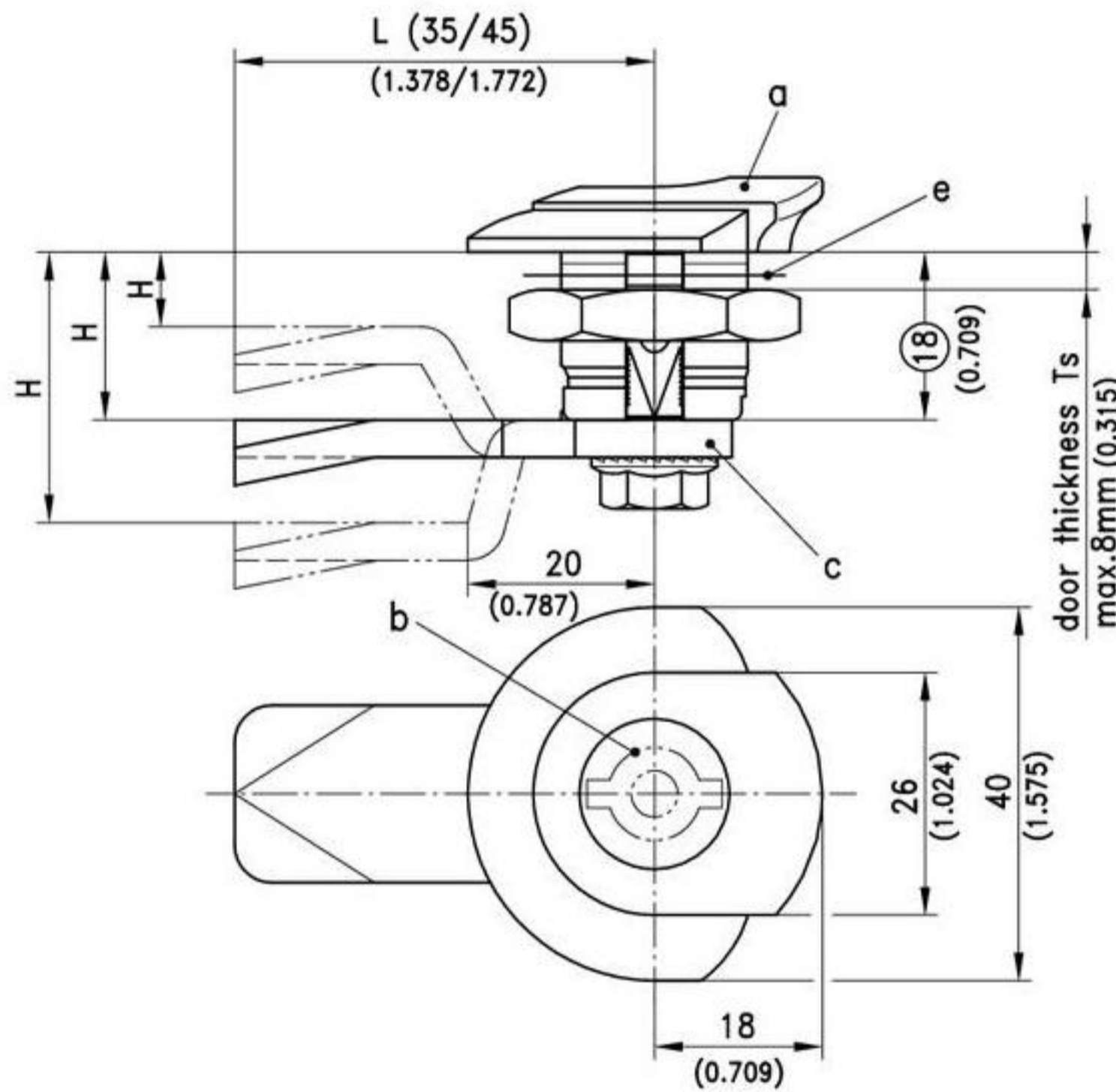


Quarter-Turn SOFTLINE with integrated finger pull.

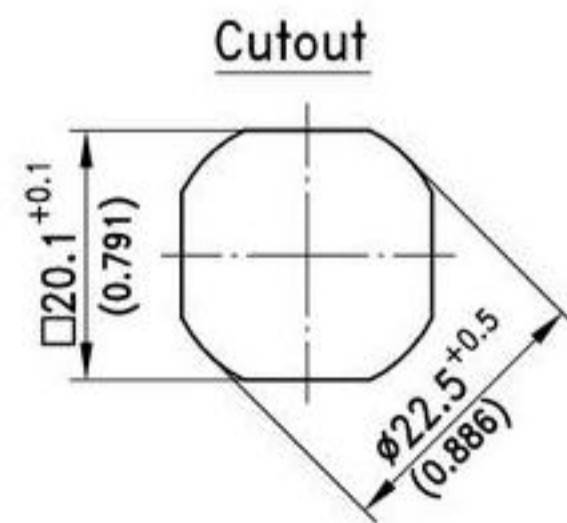
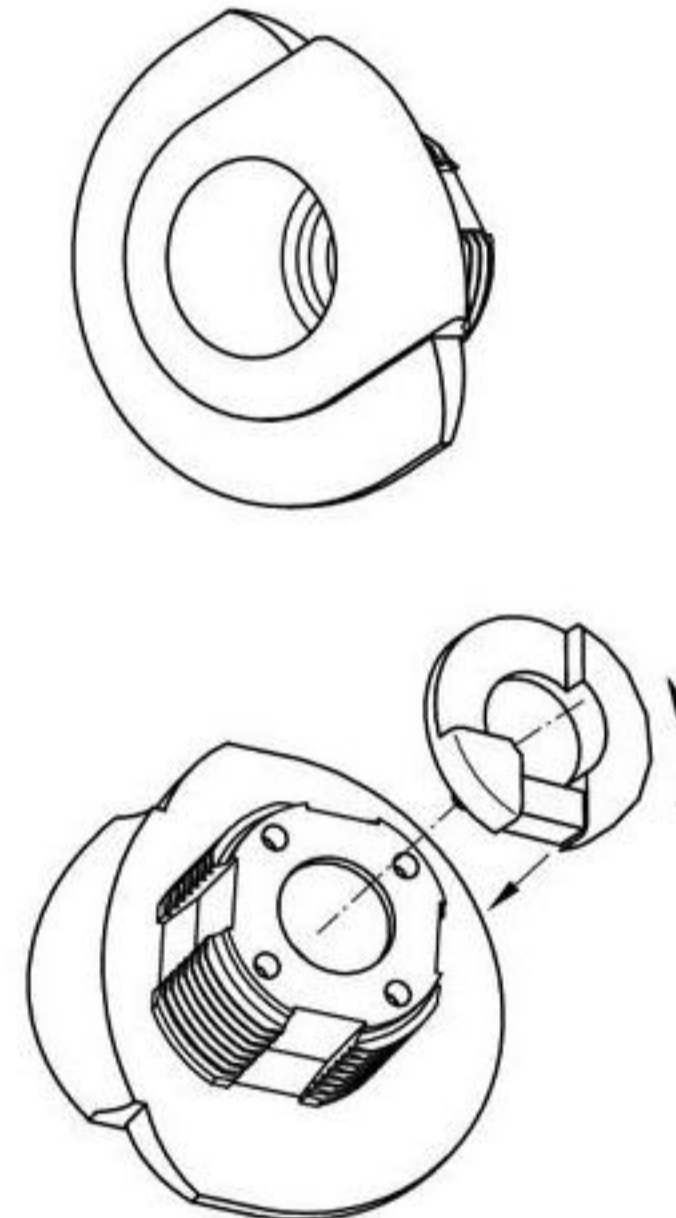
- RH or LH application by rotating the bottom part.
- The Quarter-Turn consists of three basic components a, b and c, which can be combined to suit your application.
- On request parts can be assembled by DIRAK.
- A pre-assembled Quarter-Turn can be installed in the cutout.

Material:

- a) **Housing:** PA, black
- Bottom:** zinc die, zinc plated
- b) **Insert:** zinc die, chrome plated or black coated or combination of PA, black/ zinc die
- c) **Cams:** steel, zinc plated



In principal the cam can be assembled in any position. The bottom part should be rotated accordingly.



a) Housing with bottom part and	nut	nut and grounding/earthing clip	see page
	100-9007	100-9008	
b) Insert (no wing or star knob)			02.34, 02.30
c) Cam			02.58, 02.60, 02.61, 02.62, 02.30
Optional:			
Water and dust tight according to IP65 by:			
d) O-Ring	200-1001	200-1001	
e) Flat external seal	200-0901	200-0901	
e1) For IP66/67 use additional O-Ring.	200-1002	200-1002	
f) Assembling	RH version (as drawn)	LH version	
without O-ring	200-0066	200-0068	
with O-ring	200-0067	200-0069	