

1-081 Compression-Latch Pr20.1



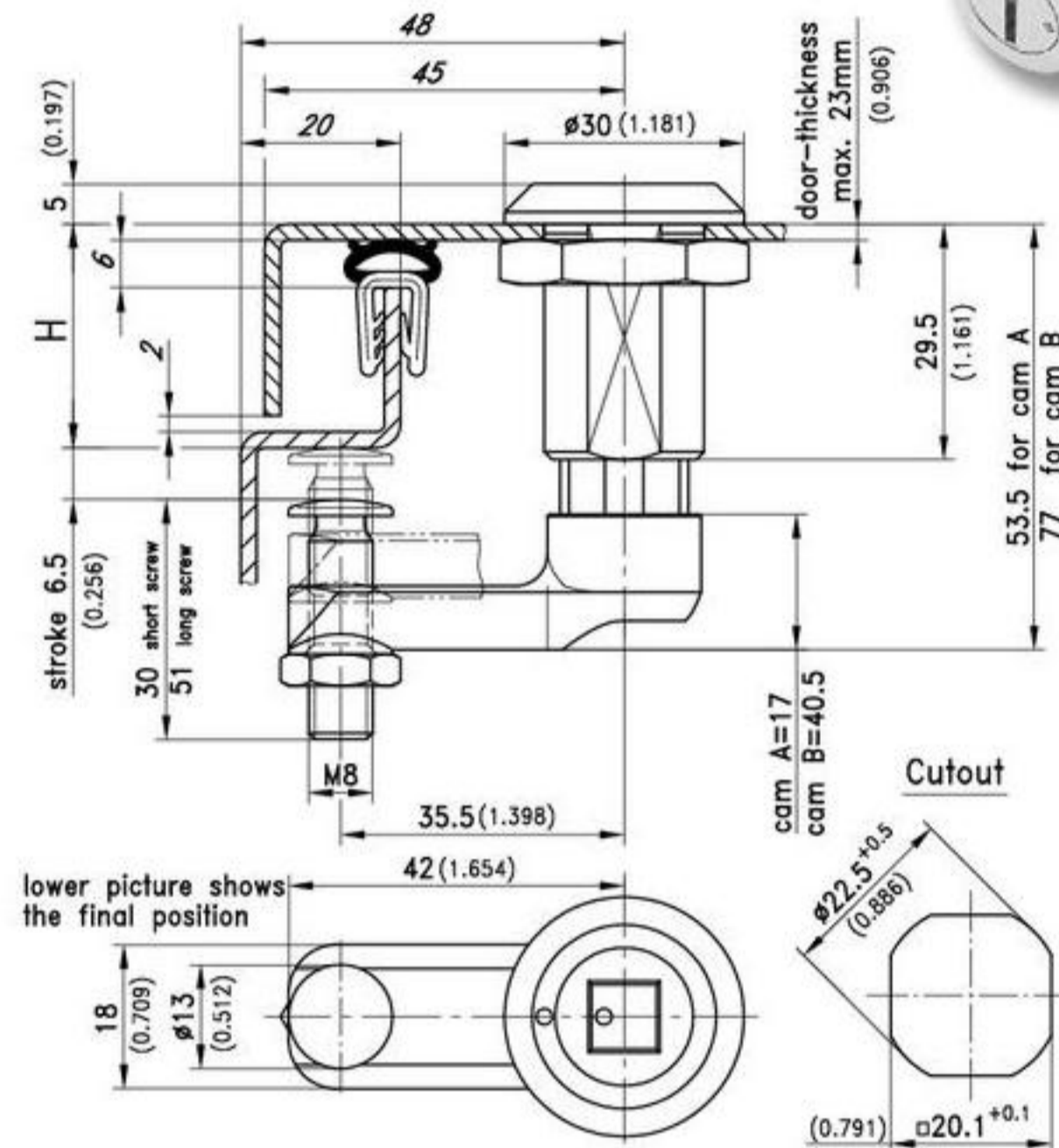
HD compression latch with 6,5mm clamping grip.

- This Quarter-Turn consists of three basic parts which can be combined to suit your application.
- By turning the insert 90° the cam is at first put into closed position.
- By turning a further 90°, the cam will be pulled towards the frame.
- Matching dots mark the final position (see lower drawing).
- The H-dimension can be easily adjusted by the adjusting screw.
- Water- and dust-tight according to IP65 DIN EN 60529.
- Typical assembling please refer to page 02.11.

Material:

- a) and a¹)
- **Housing:**
zinc die, chrome plated or black coated
- b)
- **Insert:**
brass, chrome plated, zinc die, black or chrome plated
- **Drip handle:**
zinc die, black
- **Spring:**
stainless steel

- c)
- **Cam:**
zinc die, chrome plated
- **Adjusting screw:**
steel, zinc plated
- **Nut:**
steel, zinc plated



		closing way	
		clockwise	counterclockwise
a)	Housing, zinc die, chrome plated		
	Nuts:	100-9001	-
	Grounding/Earthing nut:	100-9002	100-9013
a1)	Housing, zinc die, chrome plated with flat seal and		
	Grounding/Earthing nut:	100-9014	100-9015
b)	Insert with O-ring, spring and peg		
	Square 7mm	100-9104	Slotted 2x4mm deep
	Square 8mm	100-9105	Drip handle**
	Triangular 7mm	100-9106	(Cam in line with handle)
	Triangular 8mm	100-9107	shape as shown on page 02.47
	Double bit 3 pin	100-9103	Drip handle*
	Double bit 5 pin	100-9102*	(Handle is on 90° to the cam)
	Hex 10mm	100-9101	Hex 7/16"
	Socket head 5/16", zinc die black		100-9114
	Socket head 5/16", zinc die black		100-9123
a) + b)	SPECIAL VERSION: insert and housing for railway		on request
		closing way	
		clockwise	counterclockwise
c)	Cam with adjusting screw and nut M8		
	(cam A, long screw)	200-9611	200-9614
	(cam A, short screw)	200-9610	200-9618
	(cam B, long screw)	200-9613	-
	(cam B, short screw)	200-9612	-
d)	Assembling (compulsory)		200-0064
	Assembling: drip-handle 90° left door		200-0070
	Assembling: drip-handle 90° right door		200-0071

* Price and delivery time on request

1-081SL Compression Latch Pr32x20 SNAP-LINE

with Planetary Gear, vibration-proof



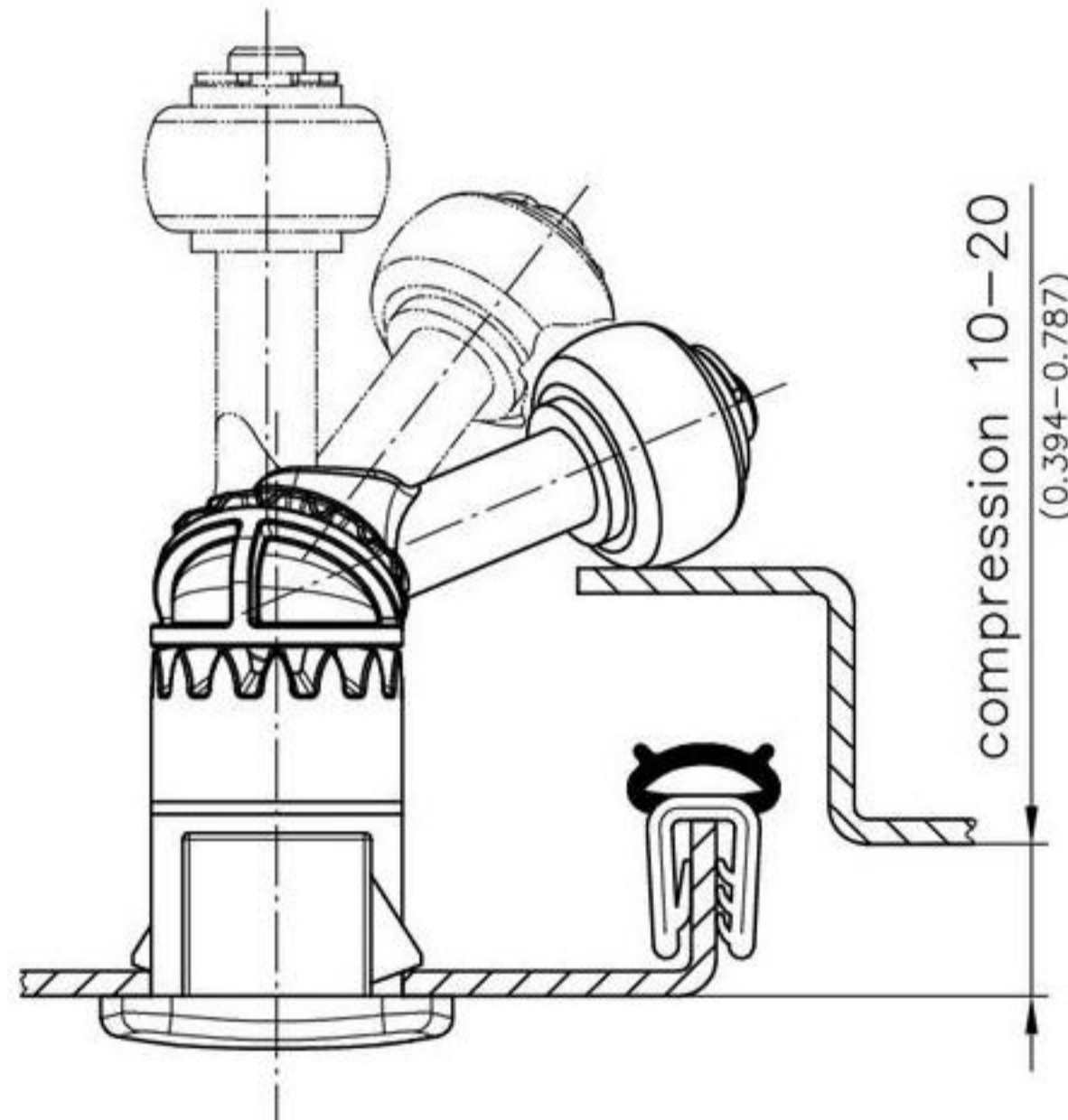
Elegant, flush Quarter-Turn for Snap-in installation into cutout 32x20,1mm. Especially narrow design.

- Vibration-proof.
- Closing- and opening operation 180°, left and right turning, positive detent in closed and open position.
- A high contact pressure is given by the high planetary transmission ratio, compression 10-20mm.
- RH and LH application, must not be converted when the door is changed.
- The Compression Latch can be snapped-in into the cutout as a completely pre-assembled unit.
- Installation: A simple push into the cutout.
- No tools needed.
- Blind installation.
- Rectangular cutout guarantees a perfect alignment.

- The cam is fitted with a roller therefore only rolling friction.
- Water- and dust-tight according to IP65 DIN EN 60529.

Material:

- **Housing and insert:** zinc die, chrome plated
- **Cam:** zinc die, zinc plated
- **Snap wedges:** sintered steel
- **Spring and Retaining washer:** spring steel
- **Washer:** steel, zinc plated
- **Roller:** POM, matt black
- **Cover:** PA6, black
- **O-Ring:** NBR, black
- **Collar screw:** steel



a) Bending (22)

a) The partnumber is a combination of 448-9101.00-XXXXX and type of insert and clamping range. For instance: with Insert Double bit 5 and clamping range 1.3 - 2.0mm = 448-9101.00-03016

a) Control unit, completely pre-assembled 448-9101.00-XXXXX

clamping range	Ⓢ	Ⓢ	Ⓢ	Ⓢ	Ⓢ
Insert	0,8 - 1,5	1,3 - 2,0	1,8 - 2,5	2,3 - 3,0	2,8 - 3,5
Square 8	01012	01016	01021	01026	01031
Double bit 3	02012	02016	02021	02026	02031
Double bit 5	03012	03016	03021	03026	03031

Further inserts on request.

b) Bending (28)

b) The partnumber is a combination of 448-9102.00-XXXXX and type of insert and clamping range. For instance: with Insert Double bit 5 and clamping range 1.3 - 2.0mm = 448-9102.00-03016

b) Control unit, completely pre-assembled 448-9102.00-XXXXX

clamping range	Ⓢ	Ⓢ	Ⓢ	Ⓢ	Ⓢ
Insert	0,8 - 1,5	1,3 - 2,0	1,8 - 2,5	2,3 - 3,0	2,8 - 3,5
Square 8	01012	01016	01021	01026	01031
Double bit 3	02012	02016	02021	02026	02031
Double bit 5	03012	03016	03021	03026	03031

Further inserts on request.

1-081SL Compression Latch Pr32x20 SNAP-LINE
 with Planetary Gear, vibration-proof

