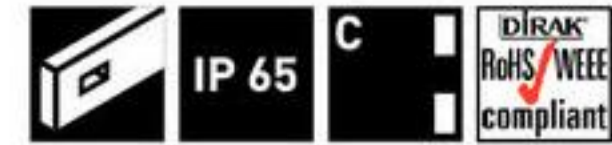


7-060 Swinghandle FS PrC

stainless steel AISI 316



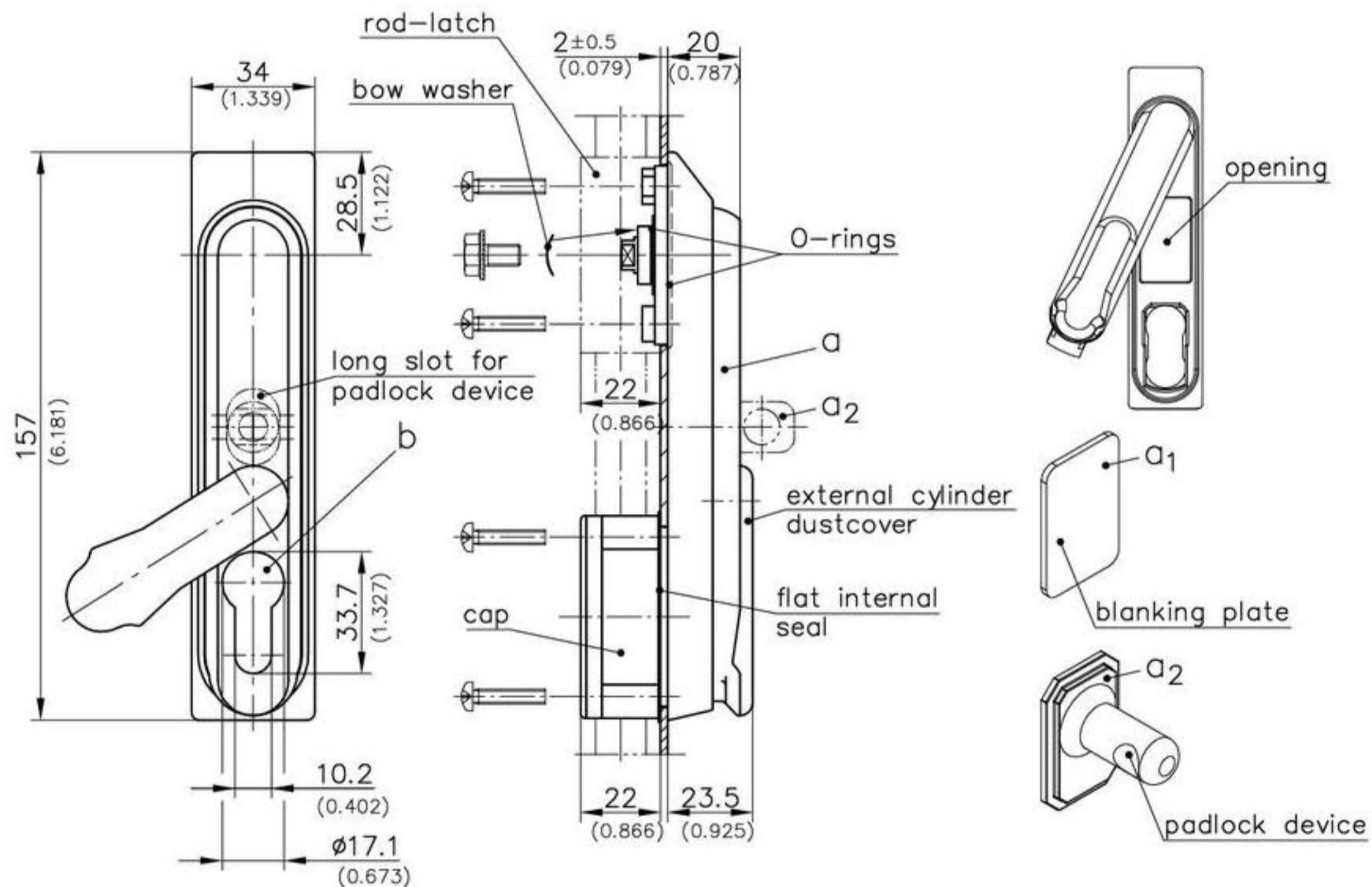
Swinghandle for application with rod-latch system see page 10.32 and cutout version C 50x25mm.

- Water- and dust-tight according to IP65 DIN EN 60529 within the sealed area.
- Detailed dimensions of the cutout PrC see page 04.5.
- The padlock device with rectangular base is fitted from the rear and so held captive between doorskin and swinghandle body.

- This opening can be filled with a rectangular blanking plate.

Material:

- **Handle, Door dish, bearing part, dust cover, swinghandle shaft, padlock device, blanking plate, profile housing, snap cam and insert:**
stainless steel
- **Cap:**
PA, black



Swinghandle for Profile Cylinders to DIN 18252	without cylinder dustcover	with cylinder dustcover	see page
a) Swinghandle for profile cylinder 40mm long	207-9292	207-9293	
a1) Blanking plate for opening (optional)	207-2506.80	207-2506.80	
a2) Swinghandle for padlock	107-9287	107-9286	
b) Profile cylinder with insert			
Square 6	211-9226	211-9226	
Square 7	211-9227	211-9227	
Square 8	211-9228	211-9228	
Triangular 7	211-9229	211-9229	
Triangular 8	211-9230	211-9230	
Double bit 3 pin	211-9231	211-9231	
Double bit 5 pin	211-9232	211-9232	
Slotted 2x4 deep	211-9233	211-9233	
Security insert with triangular 8	211-9242*	211-9242*	10.36
Other profile cylinders			03.34
Rod-latch			10.32

*Price and delivery time on request.