

3-150SL Swinghandle FS PrC SNAP-LINE



Swinghandle for profile cylinder to DIN 18252.

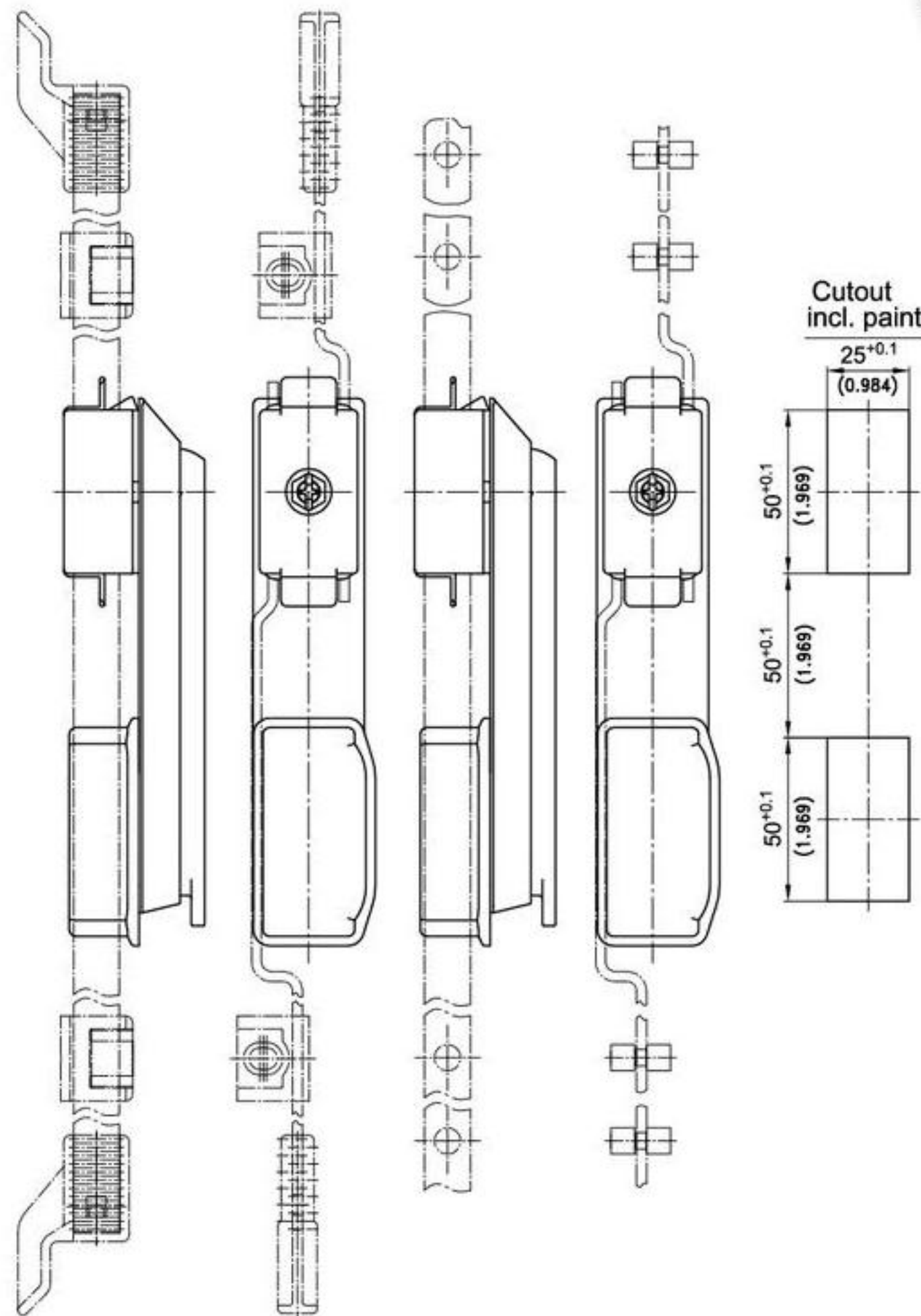
- For application within the sealed area installation with internal caps and O-Ring for IP65 EN60529.
- Sealings according to IP65 EN60529 are included.
- Hook the pre-assembled Swing-Handle into the lower cutout and snap into the upper cutout.
- The flat rods are placed into shown position and secured by the clip-on PA cover.

• For flat rods with variable lengths please contact DIRAK.

- The Swing-Handle is symmetric and can be applied both for LH and RH doors.

Material:

- **Swinghandle and dish:** PA, black
- **Snap wedges:** sintered steel
- **Pinion:** sintered steel



Swinghandle for profile cylinder/ dish with hook and cap for Profile Cylinder 40mm long	clamping range [Ⓢ]	with dustcover	without dustcover	see page
	1,3 - 2,0	407-9502.00-00015	407-9501.00-00015	
	1,5 - 2,2	407-9502.00-00018	407-9501.00-00018	
	1,8 - 2,5	407-9502.00-00020	407-9501.00-00020	

Sealings according IP65 DIN EN 60529 are included.

Swinghandle for profile cylinder/ dish with hook without cap (not IP65) for Profile Cylinder 40mm long	clamping range [Ⓢ]	with dustcover	without dustcover	see page
	1,3 - 2,0	407-9503.00-00015	407-9504.00-00015	
	1,5 - 2,2	407-9503.00-00018	407-9504.00-00018	
	1,8 - 2,5	407-9503.00-00020	407-9504.00-00020	

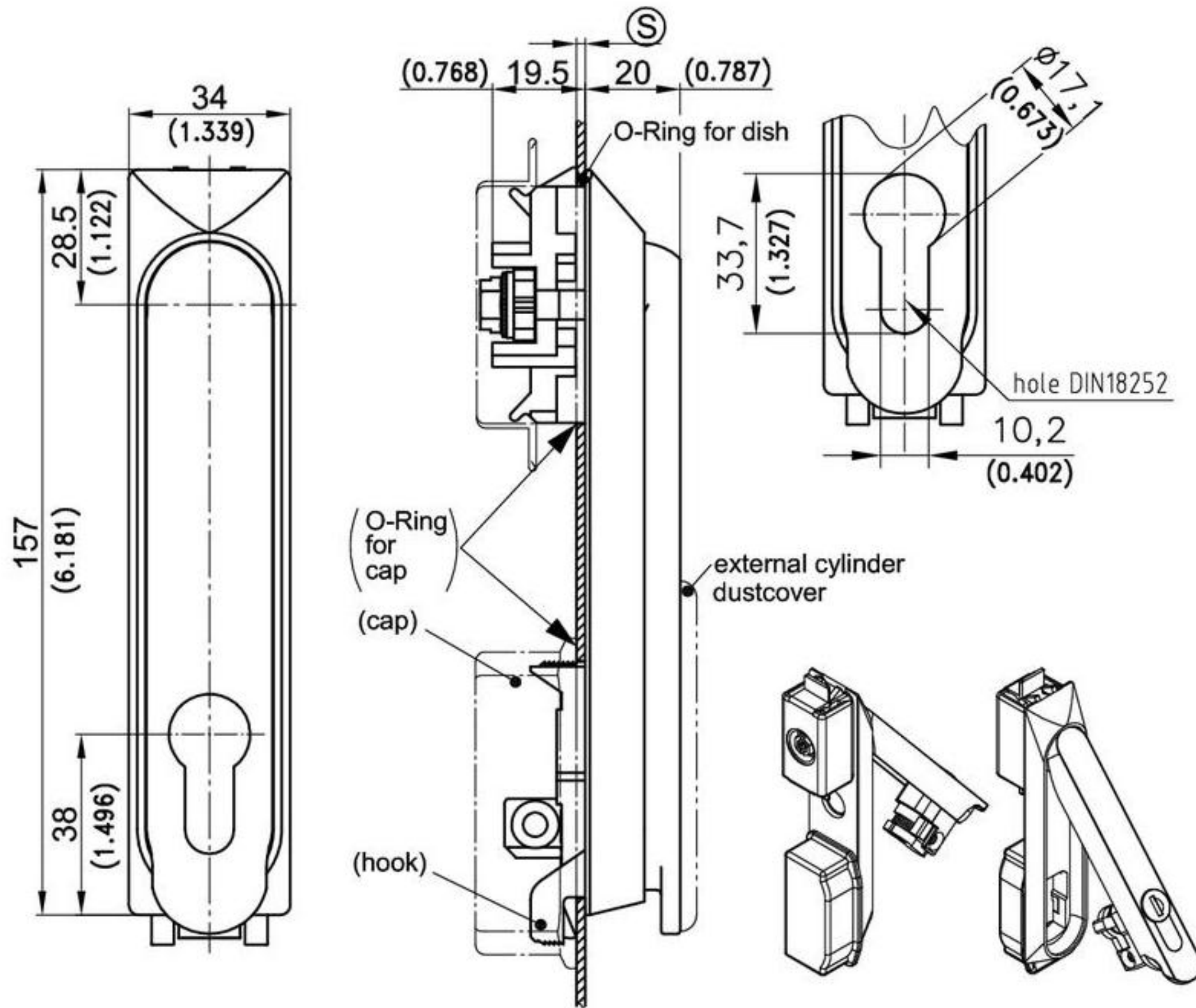
Profile Cylinder according DIN 18252 03.34

Other [Ⓢ] - dimension on request!

Other variants 04.18

Please contact DIRAK.

3-150SL Swinghandle FS PrC SNAP-LINE



Instruction for installation

