

2-091 Swinghandle RS PrC

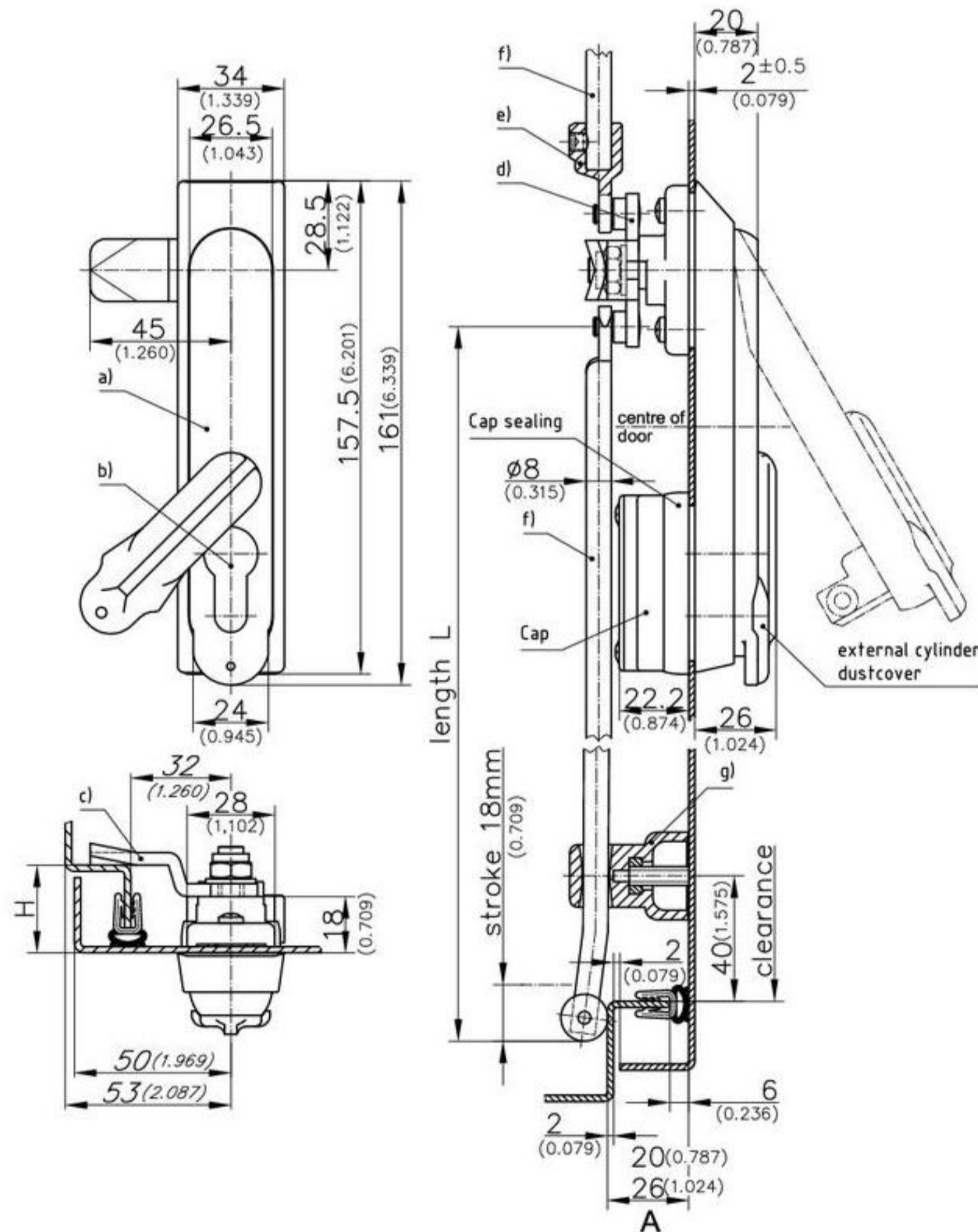


Swinghandle for 3-point cams/round rods.

- Swinghandle with 90° closing rotation.
- Dish and handle: zinc die
- Suitable for profile cylinders 40mm with 45° locking cam.
- Water- and dust-tight according to IP65 DIN EN 60529.
- RH and LH application.
- Cutout 50x25mm version PrC see page 04.5
- For further handle versions see page 03.8, please contact DIRAK.

Material:

- **Dish and handle:** zinc die, black
- **Bearing plate:** zinc die, natural
- **Cover:** zinc die, black
- **Shaft:** brass, untreated
- **Cap:** PA6 30GF black
- **Wave washer:** spring steel
- **Tapping screws:** steel, zinc plated
- **Countersunk screw:** stainless steel
- **Cap sealing and o-rings:** NBR



	Part No.	see page
a) Swinghandle with cap and external dustcover for profile-cylinder 40mm	107-9208	
b) Profile cylinder		03.34
c) Cam		02.30, 02.58, 02.61
d) 3-point cam		02.58, 03.38
e) Adapter for round rods	200-9601	
f) Round rod		02.75, 02.76
g) Rod guide for bending	A20	200-3601.03
Rod guide for bending	A26	200-3602.03
		02.77