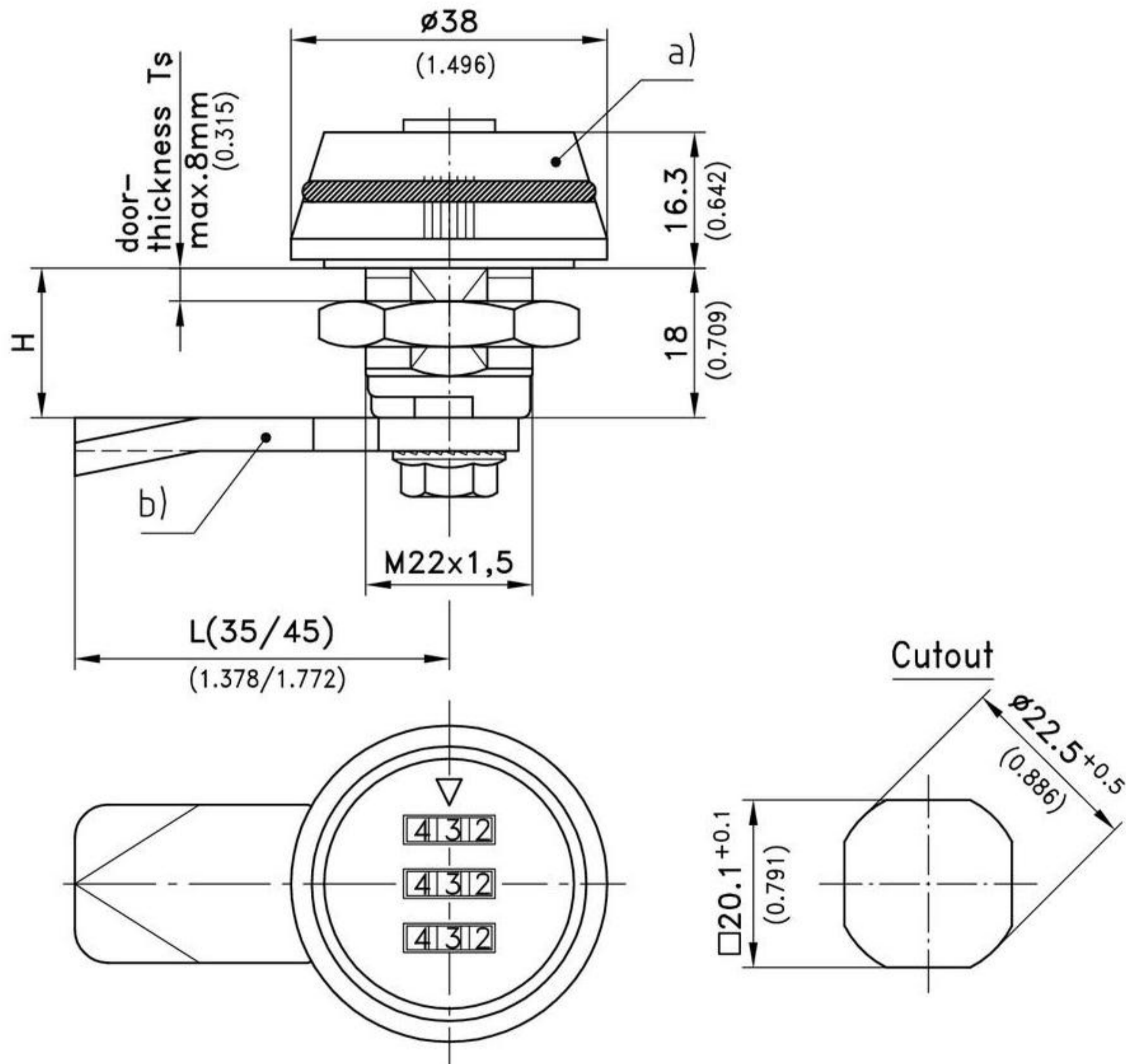


1-125 Quarter-Turn with Combination Lock Pr20.1 L18



- Quarter-Turn with Combination Lock
- RH or LH application.
 - A pre-assembled Quarter-Turn can be installed in the cutout.
 - O-Ring on handle improves grip.
 - Water- and dust-tight according to IP65 DIN EN 60529.
 - For combination set or reset please refer to enclosed instructions.
 - Modifying the combination just in opened state possible.

- Material:**
- **Handle and housing:** zinc die, chrome plated or black coated
 - **Cam:** steel, zinc plated
 - **O-Ring:** NBR



	zinc die, chrome plated	zinc die, black	see page
a) Quarter-Turn (without cam)	100-9301	100-9302	
b) Cam			02.58
c) Assembling for right door	200-0019	200-0019	
Assembling for left door	200-0020	200-0020	