

1-082 Quarter-Turn Pr20.1 L12

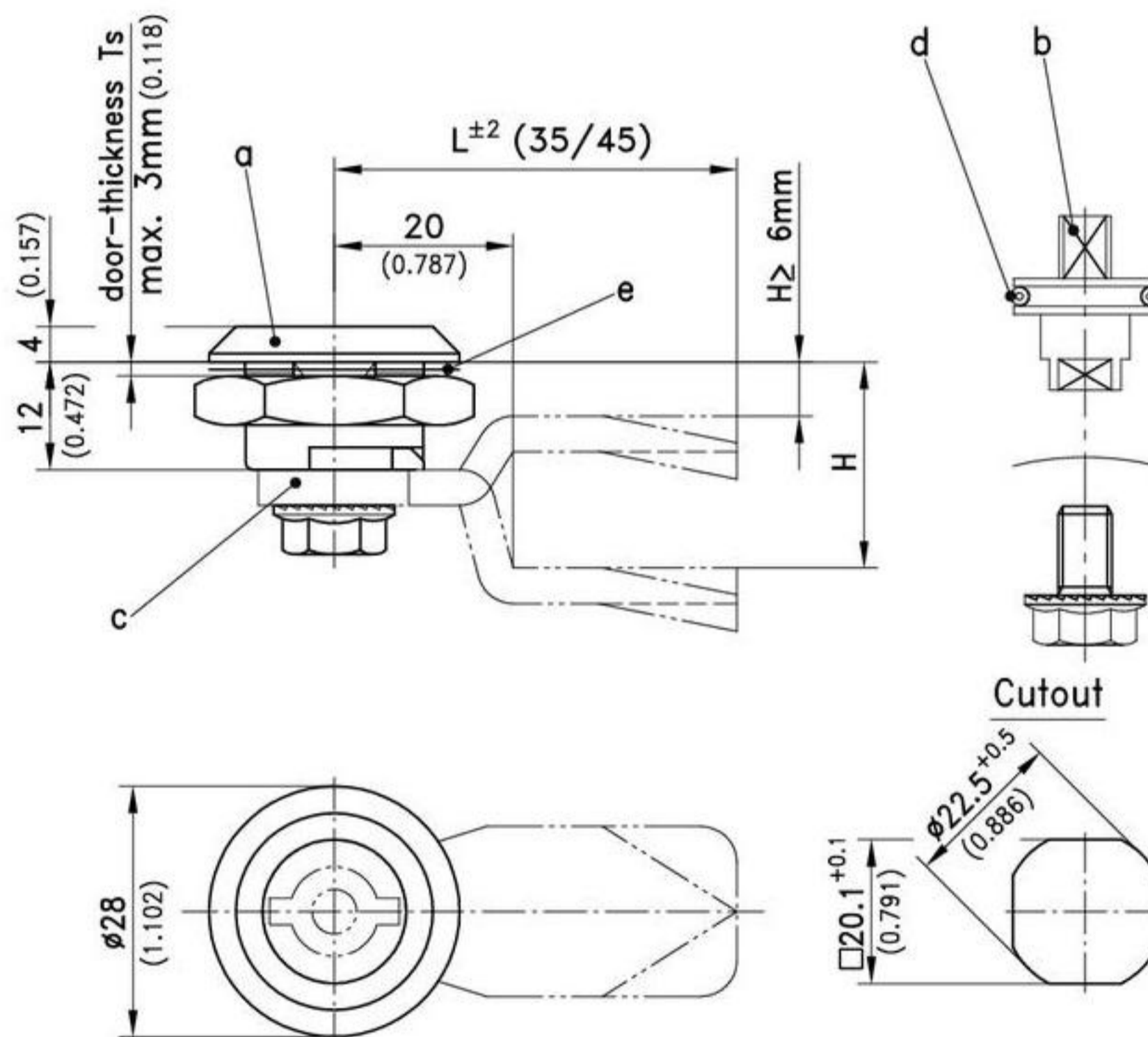


Quarter-Turn housing 12mm.

- RH or LH application.
- The Quarter-Turn consists of three basic components which can be combined to suit your application.
- On request parts can be assembled by DIRAK.
- Key (PA, black or zinc die) please see page 09.8.

Material:

- a) **Housing:**
zinc die, chrome plated or black coated
- b) **Insert:**
zinc die, chrome plated
- c) **Cams:**
steel, zinc plated



a) Housing 12mm	zinc die, chrome plated	zinc die, black	see page
with nut	100-9030	100-9032	
with grounding/earthing nut	100-9031	-	
b) Insert			02.34, 02.35
Square 6mm	100-9129.00-00001		
Square 7mm	100-9129.00-00002		
Square 8mm	100-9129.00-00003		
Triangular 7mm	100-9129.00-00004		
Triangular 8mm	100-9129.00-00005		
Double bit 3	100-9129.00-00006		
Double bit 5	100-9129.00-00007		
c) Cam			02.30, 02.58, 02.61
Attention: to be aimed at $H \geq 6\text{mm}$			
Optional:			
Water and dust tight according to IP65 by:			
d) O-ring	200-1001	200-1001	
e) Flat external seal	200-0901	200-0901	
f) Assembling	200-0001	200-0001	
Assembling with O-ring	200-0002	200-0002	

1-082SL Quarter-Turn Pr30 L18 SNAP-LINE

TRENTA

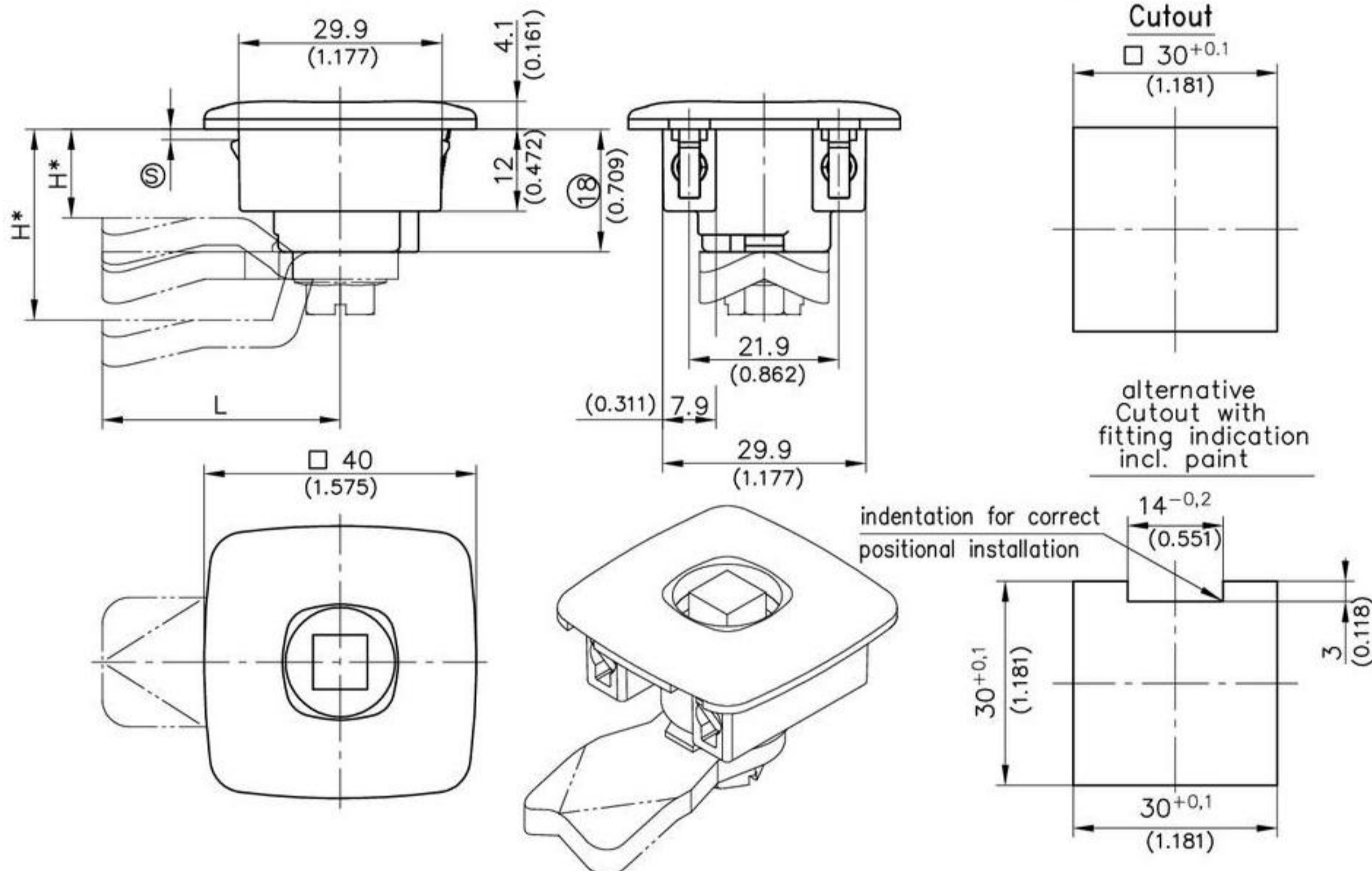


Elegant, flush Quarter-Turn for Snap-in installation into cutout 30x30mm.

- RH and LH application.
- The Quarter-Turn can be snapped-in as a completely pre-assembled unit.
- To guarantee a correct positional installation, the cutouts can have indentations.
- **Attention:** H-dimension $\geq 14\text{mm}$ (0.551)!

Material:

- **Housing:** zinc die, black
- **Snap wedges:** sintered steel



clamping range Ⓢ	for heavy applications (4 Snap)	for light applications (2 Snap)	see page
0,8 - 1,5	406-9001.00-00015	406-9002.00-00015	
1,3 - 2,0	406-9001.00-00020	406-9002.00-00020	
1,5 - 2,2	406-9001.00-00022	406-9002.00-00022	
Other Ⓢ - dimension on request!			
Insert			02.30, 02.34, 10.10
Cam			02.30, 02.58, 10.10, 10.12, 02.61
3-point cam			02.58, 03.38
Grounding/ Earthing clip:	200-1105.93-00000	200-1105.93-00000	
Optional:			
Water and dust tight according to IP65 by:			
O-ring	200-1001.00-00000	200-1001.00-00000	
O-ring for housing	839-3770.00-03620	839-3770.00-03620	
Tool for uninstallation	292-0306.80-02530	292-0306.80-02530	01.109