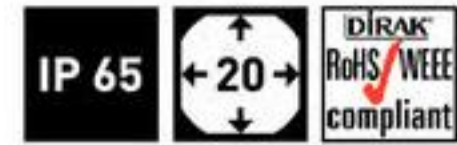


## 7-082 Quarter-Turn Pr20.1 L30-60

stainless steel AISI 304



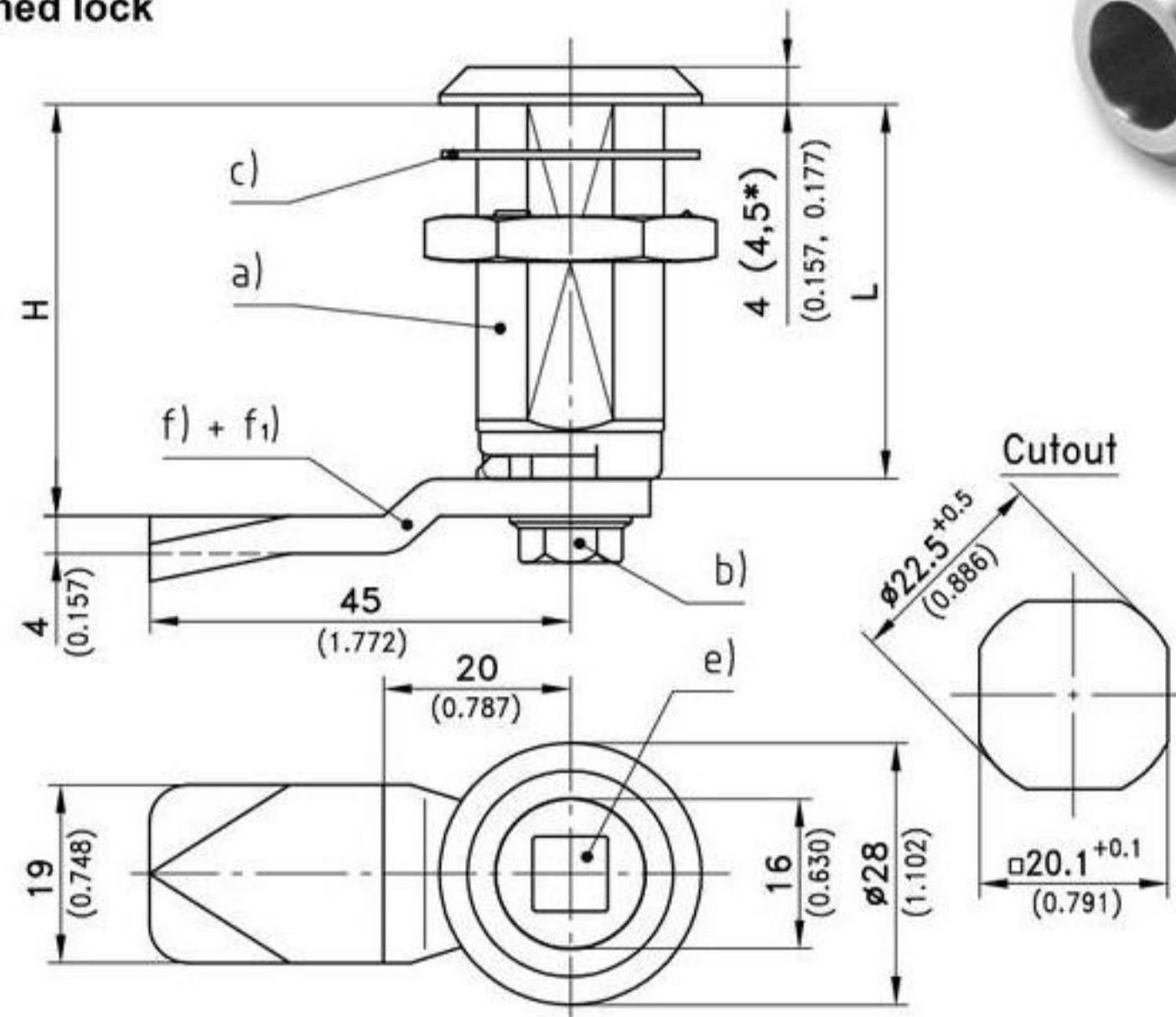
Extended version Quarter-Turn housing, with grounding/earthing nut.

\*\* The adapter system is modular and can consist of one or more separate extensions.

**Material:**

- Housing, grounding/earthing nut, adapter, screw, toothed lock washer and cam: stainless steel

- Flat external seal: NBR 65° Shore A, black
- Insert: stainless steel or stainless steel and PA
- O-Ring: NBR, black



	a) Housing with grounding/earthing nut	b) Adapter set** with screw / toothed lock washer
Housing length		
GI = 30mm/1.181	200-9072	100-9019
*GI = 36mm/1.417 (housing head height=4.5mm)	100-9024	100-9020
*GI = 40mm/1.575 (housing head height=4.5mm)	200-9073	100-9021
GI = 50mm/1.969	200-9074	100-9022
GI = 60mm/2.362	200-9075	100-9023
c) Flat external seal order separately.		200-0901
d) Assembling with O-ring		200-0004

e) Insert with screw, wave washer and O-ring. see page	f) Cam L45mm/1.772
Square 6	200-9146
Square 7	200-9119
Square 8	200-9120
Triangular 7	200-9121
Triangular 8	200-9122
Double bit 3	200-9123
Double bit 5	200-9124
Slotted 2x4 deep	200-9151
***Star knob	200-9125
***Wing knob	200-9179
7/16" hex.	200-9192
Socket hex.8 (5/16")	200-9195
Socket hex. 8 (5/16") with pin	100-9118
***Stainless steel core/insert with PA knob	
Key for insert	09.8
Dust cap and finger pull	02.80
	f) Cam L35mm/1.378
	H at housing length:
	GI 30 GI 36 GI 40 GI 50 GI 60
	32 38 42 52 62 200-4535.00-00020
	34 40 44 54 64 200-4535.00-00022*

\*Prices and delivery time on request!