

1-160 Quarter-Turn L20

screw-on, weld-on or rivet-on.

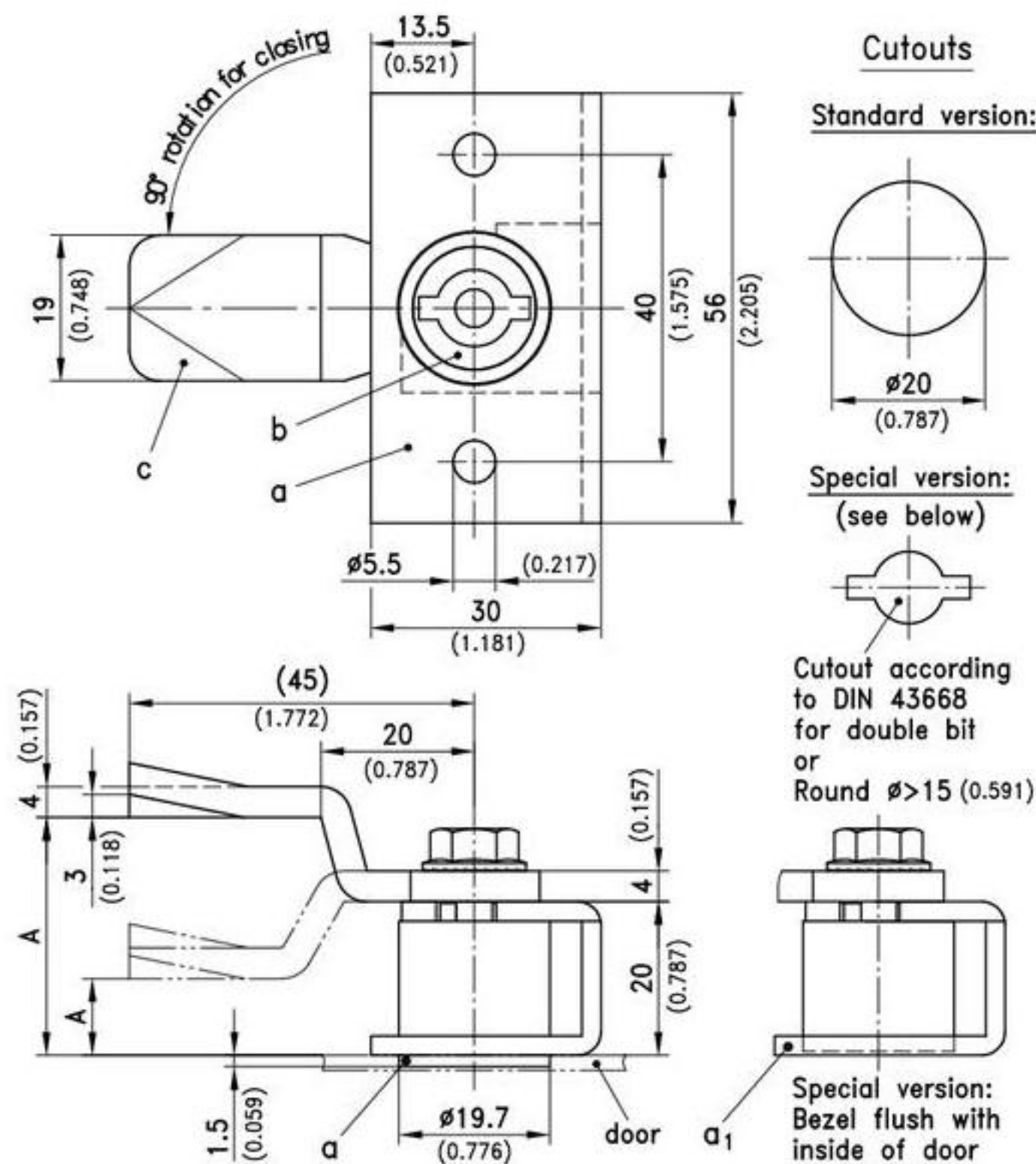


Quarter-Turn screw-on, weld-on or rivet-on.

- This Quarter-Turn consists of three basic parts which can be combined to suit your application.

Material:

- a) and a1)
- Housing:** steel, zinc plated
- Bezel:** zinc die, natural
- b)
- Insert:** zinc die, chrome plated
- c)
- Cam:** steel, zinc plated



a) Housing with bezel	Part.-No.	see page
RH version	200-9036	
LH version	200-9037	
a1) Housing with bezel flush		
RH version	100-9010	
LH version	100-9011	
b) Insert e.g.		
Square 6mm	200-9101	
Square 7mm	200-9102	
Square 8mm	200-9103	
Square 8mm slotted	200-9111	
Triangular 7mm	200-9104	
Triangular 8mm	200-9105	
Double bit 3 pin	200-9107	
Double bit 5 pin	200-9108	
Socket hex. 10mm	200-9112	
Daimler Benz type	200-9109	
Slotted 2x4 deep	200-9113	
Additional inserts		02.34

c) Cam L45			see page
A in mm / inch	Part No.	A in mm / inch	Part No.
4 / 0.157	200-0402	32 / 1.260	200-0430
6 / 0.236	200-0404	34 / 1.339	200-0432
8 / 0.315	200-0406	36 / 1.417	200-0434
10 / 0.394	200-0408	37 / 1.457	200-0435
12 / 0.472	200-0410	38 / 1.496	200-0436
15 / 0.590	200-0413	40 / 1.575	200-0438
16 / 0.630	200-0414	42 / 1.654	200-0440
18 / 0.709	200-0416	44 / 1.732	200-0442
20 / 0.787	200-0418	46 / 1.811	200-0444
22 / 0.866	200-0420	47 / 1.850	200-0445
24 / 0.945	200-0422	49 / 1.929	200-0447
26 / 1.024	200-0424	52 / 2.047	200-0450
27 / 1.063	200-0425	55 / 2.165	200-0453
28 / 1.102	200-0426	57 / 2.244	200-0455
32 / 1.181	200-0428		

Additional cams 02.58, 02.61

Optional:

d) Assembling 200-0001