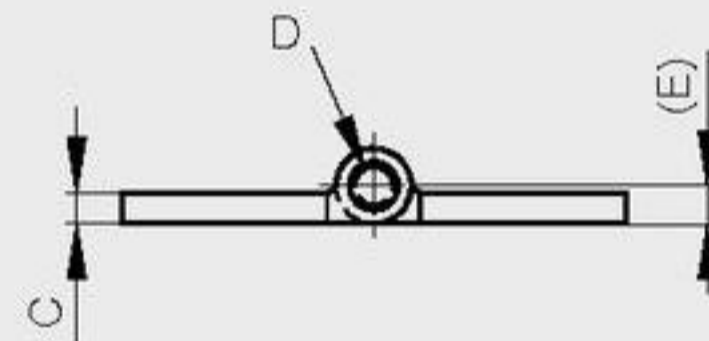
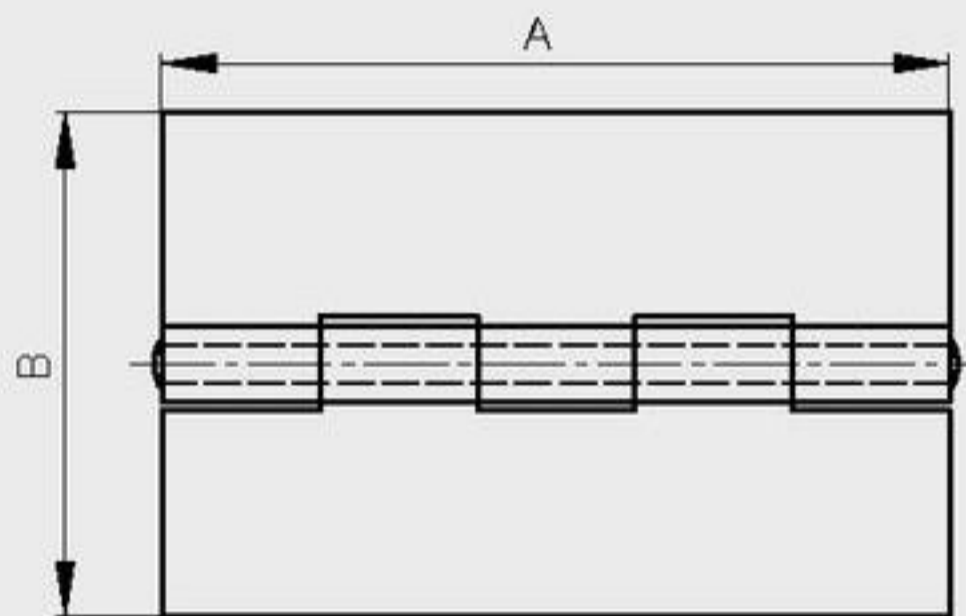


**Die-cast steel hinges for railway applications**

Riveted pin

Other dimensions or variants are available on request.

A	B	C	D	E	note	part number	material	finish	weight
80	80	5	6	6	1 FR (railway code)	72-7-3410	steel	raw	283g
80	80	8	10	10	14 FR (railway code)	72-7-3414	steel	raw	485g
80	130	5	6	6	3 FR (railway code)	72-7-3412	steel	raw	436g
80	130	8	10	10	16 FR (railway code)	72-7-3416	steel	raw	761g
125	80	5	6	6	11 FR (railway code)	72-7-3413	steel	raw	440g
125	130	8	10	10	24 FR (railway code)	72-7-3417	steel	raw	1240g
160	130	8	10	10	34 FR (railway code)	72-7-3420	steel	raw	1457g
200	130	8	10	10	35 FR (railway code)	72-7-3421	steel	raw	1920g
80	80	5	6	6	1 FR (railway code)	72-7-3991	304 stainless steel	raw	283g



**Heavy duty lift-off hinges for railway applications**

With raw brass washer

A	B	C	D	E	F	G	S	note	part number	material	finish	weight
48	40	3	4	4	32	8	4	type 2 symmetric not shown	14-7-3328	steel	raw	52g
48	40	3	4	4	32	8	4	type 1 as shown below	14-7-3329	steel	raw	52g
60	50	3.5	5	5	40	10	5	type 2 symmetric not shown	14-7-3330	steel	raw	104g
60	50	3.5	5	5	40	10	5	type 1 as shown below	14-7-3331	steel	raw	104g
72	60	4	6	6	48	12	6.5	type 2 symmetric not shown	14-7-3332	steel	raw	156g
72	60	4	6	6	48	12	6.5	type 1 as shown below	14-7-3333	steel	raw	156g
84	70	4.5	7	7	56	14	7.5	type 2 symmetric not shown	14-7-3334	steel	raw	245g
84	70	4.5	7	7	56	14	7.5	type 1 as shown below	14-7-3335	steel	raw	245g
96	80	5	8	8	66	16	8.5	type 2 symmetric not shown	14-7-3336	steel	raw	360g
96	80	5	8	8	66	16	8.5	type 1 as shown below	14-7-3337	steel	raw	360g

