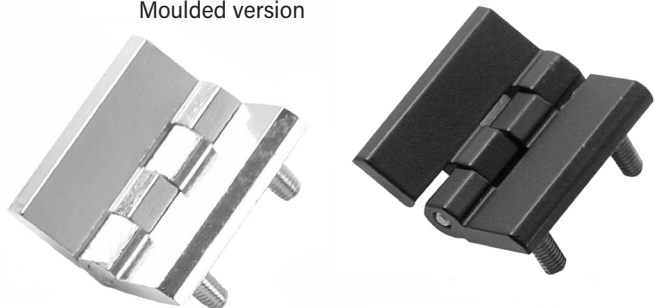


Screw-On Hinge

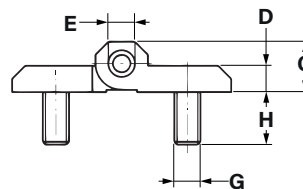
Moulded version



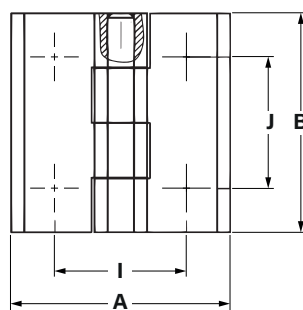
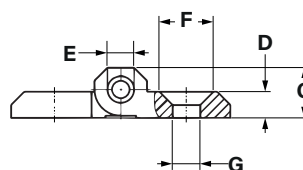
Countersunk version



Moulded version



Countersunk version



Screw-On hinges in zinc die with three different size options available.

These hinges come in either moulded or countersunk versions and include a stainless steel pivot pin.

- Black coated or chrome plated
- External hinge
- Screw-On
- Moulded version opening angle: 180°
- Countersunk version opening angle: 270°
- LH / RH

Part No.	Style	Finish	A	B	C	D	E	F	G	H	I	J
28417	Moulded	Chrome	40	40	9	5	Ø4	-	M5	12	25	25
28418	Moulded	Black	40	40	9	5	Ø4	-	M5	12	25	25
28419	Countersunk	Chrome	40	40	9	5	Ø4	10.2 x 90°	Ø5.3	-	25	25
25803	Countersunk	Black	40	40	9	5	Ø4	10.2 x 90°	Ø5.3	-	25	25
28420	Moulded	Chrome	50	50	11.5	6	Ø6	-	M6	12	30	30
28421	Moulded	Black	50	50	11.5	6	Ø6	-	M6	12	30	30
28422	Countersunk	Chrome	50	50	11.5	6	Ø6	12.4 x 90°	Ø6.3	-	30	30
24223	Countersunk	Black	50	50	11.5	6	Ø6	12.4 x 90°	Ø6.3	-	30	30
28431	Moulded	Chrome	60	60	15	8	Ø8	-	M8	14.5	36	36
28432	Moulded	Black	60	60	15	8	Ø8	-	M8	14.5	36	36
28433	Countersunk	Chrome	60	60	15	8	Ø8	16.5 x 90°	Ø8.4	-	36	36
28434	Countersunk	Black	60	60	15	8	Ø8	16.5 x 90°	Ø8.4	-	36	36

All dimensions shown in mm unless otherwise stated. We reserve the right to alter specifications without notice.



Thousands of products available to buy online



Reliable international delivery service



The UK's leading stockist of locks, handles, hinges gas springs & accessories

Order online at
www.faparkes.co.uk

