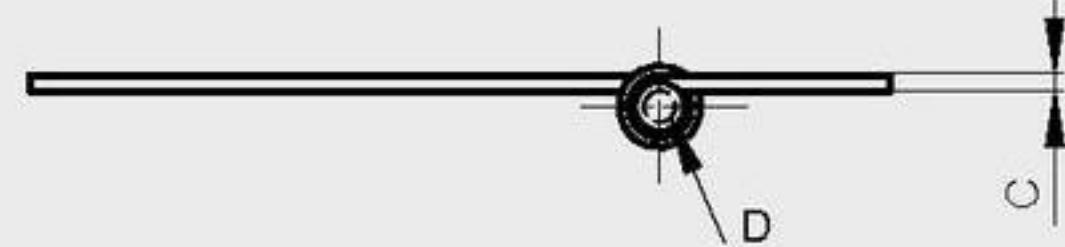
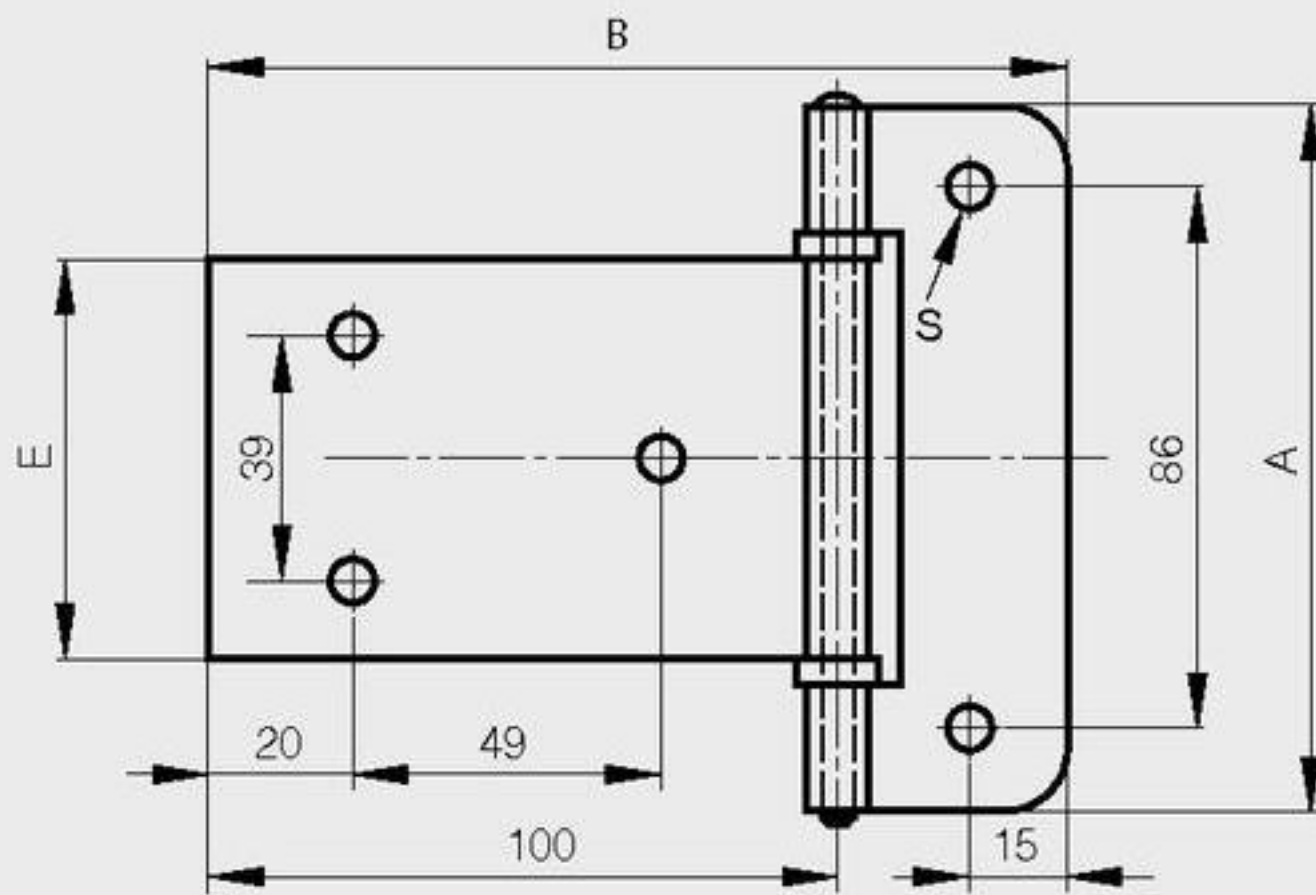


Removable pin hinge

Nylon washers

A	B	C	D	E	S	note	part number	material	finish	weight
112	136.5	2.5	5	63.5		undrilled	50-1-3315	steel	raw	244g
112	136.5	2.5	5	63.5		undrilled	52-1-3605	304 stainless steel	raw	248g
112	136.5	2.5	5	63.5	7	drilled	52-1-3606	304 stainless steel	raw	248g



Heavy duty hinge

Stainless steel riveted pin

A	B	C	D	S	part number	material	finish	weight
66	230	5	10	12	50-1-4060	steel	zinc plated	622g

