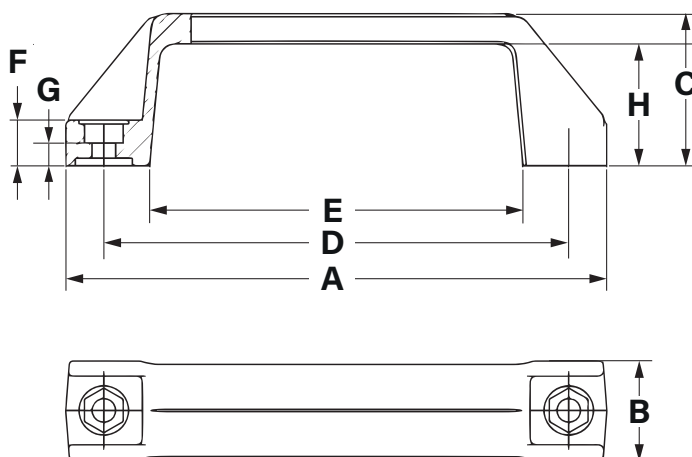


Polyamide Handle



Polyamide Handle in black.

Screw-on fitting for use with M6 hexagon screws.

- Black polyamide
- Screw-on fitting
- LH / RH

NOTE: All dimensions are to be understood as nominal dimensions in the assembled condition. Due to post-shrinkage, relaxation and moisture absorption depending on potential influences (e.g. temperature, humidity, etc.), the dimensional accuracy may deviate in the delivery/storage condition without affecting the assembly of the article

Part No.	A	B	C	D	E	F	G	H
25693	142	26	40	122	98	13	6	32

All dimensions shown in mm unless otherwise stated. We reserve the right to alter specifications without notice.



Thousands of products available to buy online



Reliable international delivery service



The UK's leading stockist of locks, handles, hinges gas springs & accessories

Order online at
www.faparkes.co.uk

Your *One-Stop-Shop* for all your hardware requirements!



FA Parkes Ltd
Unit 4, Acorn Court
Butts Street,
Leigh
Lancashire, UK
WN7 3AE



+44 (0) 1942 681 996



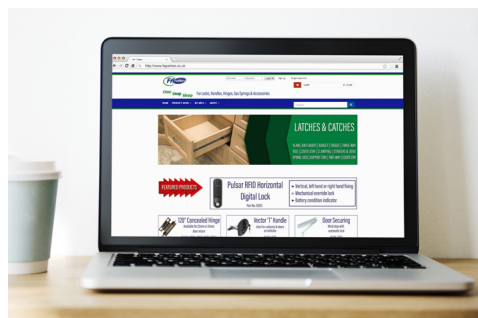
+44 (0) 1942 681 997



www.faparkes.co.uk



sales@faparkes.co.uk



- Search by keyword or part number
- Browse by part type
- Product datasheet downloads
- No sign up required!

