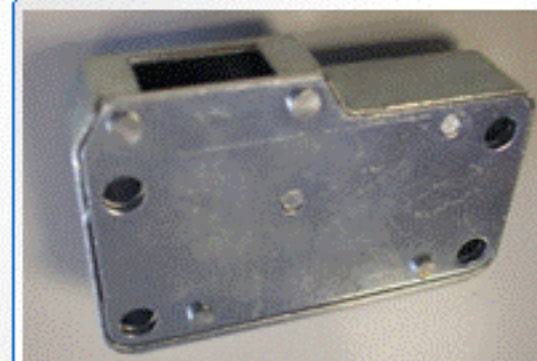


# Universal Bin Lock 5525

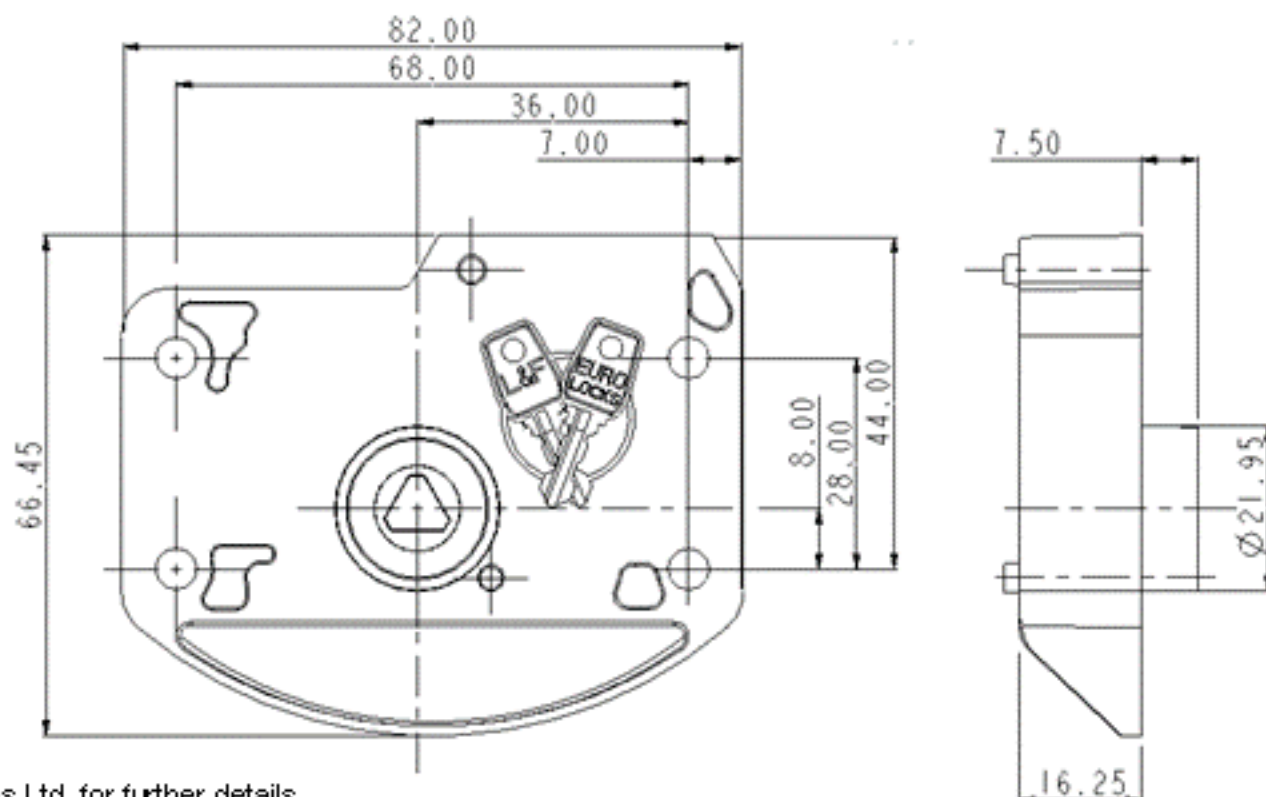
## DESCRIPTION



- DEAD-LOCK OR SLAM-LOCK OPERATION IN ONE LOCK. SELECT WHEN FITTING
- HIGH STRENGTH, LONG LIFE OPERATION, TESTED IN EXCESS OF 65,000 OPERATIONS
- STREAMLINED DESIGN ELIMINATES CATCH POINTS. NO NEED FOR ADDITIONAL DEFLECTOR PLATES.
- CORROSION RESISTANT TO WASH-DOWN AND BLEACH
- STANDARD FOOTPRINT AND 8mm TRIANGULAR BUDGET KEY LOCK OPERATION
- STEEL BACK PLATE RIVETED DIRECTLY TO HOUSING FOR STRENGTH
- ACCEPTS MOST COMMON STRIKERS
- U.K. DESIGN AND MANUFACTURE
- INTERCHANGEABLE WITH INDUSTRY STANDARD



## DIMENSIONS



Please contact FA Parkes Ltd. for further details



FA Parkes Ltd  
Unit 4, Acorn Court,  
Butts Street, Leigh.  
web: [www.faparkes.co.uk](http://www.faparkes.co.uk)  
Email: [sales@faparkes.co.uk](mailto:sales@faparkes.co.uk)