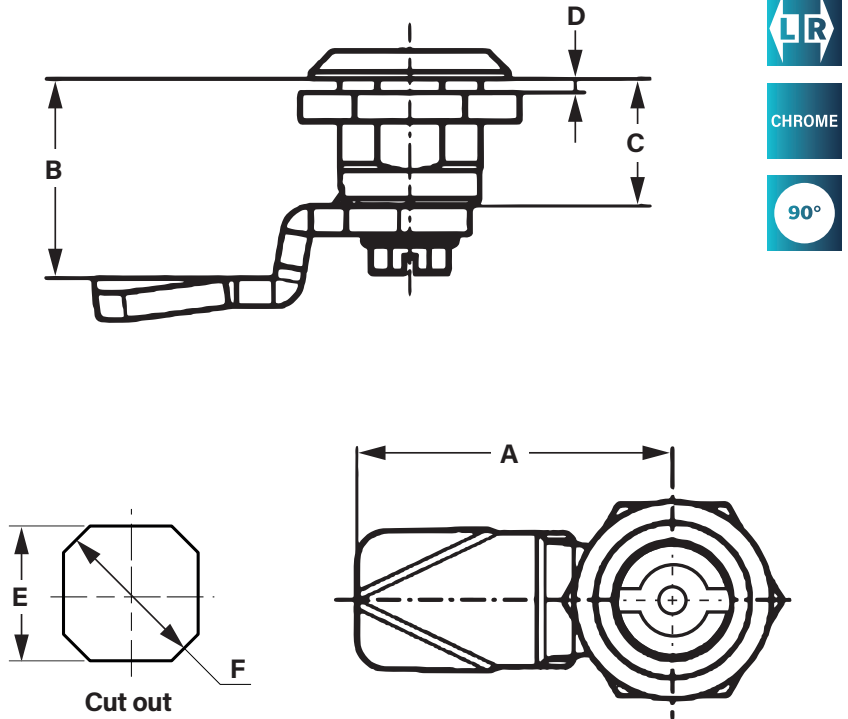


Quarter Turn Locks - Double Bit



Double Bit Quarter Turn locks in chrome.

3mm and 5mm size options. Double Bit Keys also available.

- IP65 rating
- 90° turn
- LH / RH

Part No.	Size	A	B	C	D	E	F
25444	3mm	45	H = 04	GH = 18	Ts = 1.2 - 8	□20.1 ^{+0.1} ₀	Ø22.5 ^{+0.5} ₀
25445	3mm	45	H = 06	GH = 18	Ts = 1.2 - 8	□20.1 ^{+0.1} ₀	Ø22.5 ^{+0.5} ₀
25446	3mm	45	H = 08	GH = 18	Ts = 1.2 - 8	□20.1 ^{+0.1} ₀	Ø22.5 ^{+0.5} ₀
25447	3mm	45	H = 10	GH = 18	Ts = 1.2 - 8	□20.1 ^{+0.1} ₀	Ø22.5 ^{+0.5} ₀
25448	3mm	45	H = 13	GH = 18	Ts = 1.2 - 8	□20.1 ^{+0.1} ₀	Ø22.5 ^{+0.5} ₀
25449	3mm	45	H = 14	GH = 18	Ts = 1.2 - 8	□20.1 ^{+0.1} ₀	Ø22.5 ^{+0.5} ₀
25450	3mm	45	H = 16	GH = 18	Ts = 1.2 - 8	□20.1 ^{+0.1} ₀	Ø22.5 ^{+0.5} ₀
25451	3mm	45	H = 18	GH = 18	Ts = 1.2 - 8	□20.1 ^{+0.1} ₀	Ø22.5 ^{+0.5} ₀
25452	3mm	45	H = 20	GH = 18	Ts = 1.2 - 8	□20.1 ^{+0.1} ₀	Ø22.5 ^{+0.5} ₀
25453	3mm	45	H = 22	GH = 18	Ts = 1.2 - 8	□20.1 ^{+0.1} ₀	Ø22.5 ^{+0.5} ₀
25454	3mm	45	H = 24	GH = 18	Ts = 1.2 - 8	□20.1 ^{+0.1} ₀	Ø22.5 ^{+0.5} ₀
25455	3mm	45	H = 25	GH = 18	Ts = 1.2 - 8	□20.1 ^{+0.1} ₀	Ø22.5 ^{+0.5} ₀
25456	3mm	45	H = 26	GH = 18	Ts = 1.2 - 8	□20.1 ^{+0.1} ₀	Ø22.5 ^{+0.5} ₀
25457	3mm	45	H = 28	GH = 18	Ts = 1.2 - 8	□20.1 ^{+0.1} ₀	Ø22.5 ^{+0.5} ₀
25458	3mm	45	H = 30	GH = 18	Ts = 1.2 - 8	□20.1 ^{+0.1} ₀	Ø22.5 ^{+0.5} ₀
25459	3mm	45	H = 32	GH = 18	Ts = 1.2 - 8	□20.1 ^{+0.1} ₀	Ø22.5 ^{+0.5} ₀
25460	3mm	45	H = 34	GH = 18	Ts = 1.2 - 8	□20.1 ^{+0.1} ₀	Ø22.5 ^{+0.5} ₀
25461	3mm	45	H = 35	GH = 18	Ts = 1.2 - 8	□20.1 ^{+0.1} ₀	Ø22.5 ^{+0.5} ₀
25462	3mm	45	H = 36	GH = 18	Ts = 1.2 - 8	□20.1 ^{+0.1} ₀	Ø22.5 ^{+0.5} ₀
25463	3mm	45	H = 38	GH = 18	Ts = 1.2 - 8	□20.1 ^{+0.1} ₀	Ø22.5 ^{+0.5} ₀

All dimensions shown in mm unless otherwise stated. We reserve the right to alter specifications without notice.

Part No.	Size	A	B	C	D	E	F
25464	3mm	45	H = 40	GH = 18	Ts = 1.2 - 8	□20.1 ^{+0.1} ₀	Ø22.5 ^{+0.5} ₀
25465	3mm	45	H = 42	GH = 18	Ts = 1.2 - 8	□20.1 ^{+0.1} ₀	Ø22.5 ^{+0.5} ₀
25466	3mm	45	H = 44	GH = 18	Ts = 1.2 - 8	□20.1 ^{+0.1} ₀	Ø22.5 ^{+0.5} ₀
25467	3mm	45	H = 45	GH = 18	Ts = 1.2 - 8	□20.1 ^{+0.1} ₀	Ø22.5 ^{+0.5} ₀
25468	3mm	45	H = 47	GH = 18	Ts = 1.2 - 8	□20.1 ^{+0.1} ₀	Ø22.5 ^{+0.5} ₀
25469	3mm	45	H = 50	GH = 18	Ts = 1.2 - 8	□20.1 ^{+0.1} ₀	Ø22.5 ^{+0.5} ₀
25418	5mm	45	H = 04	GH = 18	Ts = 1.2 - 8	□20.1 ^{+0.1} ₀	Ø22.5 ^{+0.5} ₀
25419	5mm	45	H = 06	GH = 18	Ts = 1.2 - 8	□20.1 ^{+0.1} ₀	Ø22.5 ^{+0.5} ₀
25420	5mm	45	H = 08	GH = 18	Ts = 1.2 - 8	□20.1 ^{+0.1} ₀	Ø22.5 ^{+0.5} ₀
25421	5mm	45	H = 10	GH = 18	Ts = 1.2 - 8	□20.1 ^{+0.1} ₀	Ø22.5 ^{+0.5} ₀
25422	5mm	45	H = 13	GH = 18	Ts = 1.2 - 8	□20.1 ^{+0.1} ₀	Ø22.5 ^{+0.5} ₀
25423	5mm	45	H = 14	GH = 18	Ts = 1.2 - 8	□20.1 ^{+0.1} ₀	Ø22.5 ^{+0.5} ₀
25424	5mm	45	H = 16	GH = 18	Ts = 1.2 - 8	□20.1 ^{+0.1} ₀	Ø22.5 ^{+0.5} ₀
25425	5mm	45	H = 18	GH = 18	Ts = 1.2 - 8	□20.1 ^{+0.1} ₀	Ø22.5 ^{+0.5} ₀
25426	5mm	45	H = 20	GH = 18	Ts = 1.2 - 8	□20.1 ^{+0.1} ₀	Ø22.5 ^{+0.5} ₀
25427	5mm	45	H = 22	GH = 18	Ts = 1.2 - 8	□20.1 ^{+0.1} ₀	Ø22.5 ^{+0.5} ₀
25428	5mm	45	H = 24	GH = 18	Ts = 1.2 - 8	□20.1 ^{+0.1} ₀	Ø22.5 ^{+0.5} ₀
25429	5mm	45	H = 25	GH = 18	Ts = 1.2 - 8	□20.1 ^{+0.1} ₀	Ø22.5 ^{+0.5} ₀
25430	5mm	45	H = 26	GH = 18	Ts = 1.2 - 8	□20.1 ^{+0.1} ₀	Ø22.5 ^{+0.5} ₀
25431	5mm	45	H = 28	GH = 18	Ts = 1.2 - 8	□20.1 ^{+0.1} ₀	Ø22.5 ^{+0.5} ₀
25432	5mm	45	H = 30	GH = 18	Ts = 1.2 - 8	□20.1 ^{+0.1} ₀	Ø22.5 ^{+0.5} ₀
25433	5mm	45	H = 32	GH = 18	Ts = 1.2 - 8	□20.1 ^{+0.1} ₀	Ø22.5 ^{+0.5} ₀
25434	5mm	45	H = 34	GH = 18	Ts = 1.2 - 8	□20.1 ^{+0.1} ₀	Ø22.5 ^{+0.5} ₀
25435	5mm	45	H = 35	GH = 18	Ts = 1.2 - 8	□20.1 ^{+0.1} ₀	Ø22.5 ^{+0.5} ₀
25436	5mm	45	H = 36	GH = 18	Ts = 1.2 - 8	□20.1 ^{+0.1} ₀	Ø22.5 ^{+0.5} ₀
25437	5mm	45	H = 38	GH = 18	Ts = 1.2 - 8	□20.1 ^{+0.1} ₀	Ø22.5 ^{+0.5} ₀
25438	5mm	45	H = 40	GH = 18	Ts = 1.2 - 8	□20.1 ^{+0.1} ₀	Ø22.5 ^{+0.5} ₀
25439	5mm	45	H = 42	GH = 18	Ts = 1.2 - 8	□20.1 ^{+0.1} ₀	Ø22.5 ^{+0.5} ₀
25440	5mm	45	H = 44	GH = 18	Ts = 1.2 - 8	□20.1 ^{+0.1} ₀	Ø22.5 ^{+0.5} ₀
25441	5mm	45	H = 45	GH = 18	Ts = 1.2 - 8	□20.1 ^{+0.1} ₀	Ø22.5 ^{+0.5} ₀
25442	5mm	45	H = 47	GH = 18	Ts = 1.2 - 8	□20.1 ^{+0.1} ₀	Ø22.5 ^{+0.5} ₀

All dimensions shown in mm unless otherwise stated. We reserve the right to alter specifications without notice.



Thousands of products available to buy online



Reliable international delivery service



The UK's leading stockist of locks, handles, hinges gas springs & accessories

Order online at
www.faparkes.co.uk

Your One-Stop-Shop for all your hardware requirements!



FA Parkes Ltd
Unit 4, Acorn Court
Butts Street,
Leigh
Lancashire, UK
WN7 3AE



+44 (0) 1942 681 996



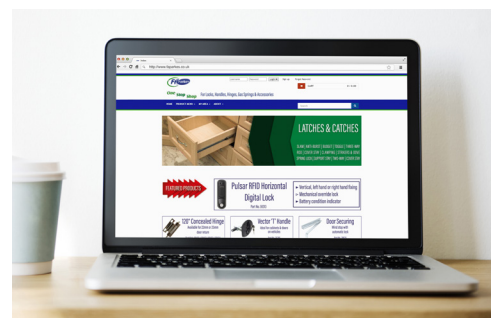
+44 (0) 1942 681 997



www.faparkes.co.uk



sales@faparkes.co.uk



- Search by keyword or part number
- Browse by part type
- Product datasheet downloads
- No sign up required!

