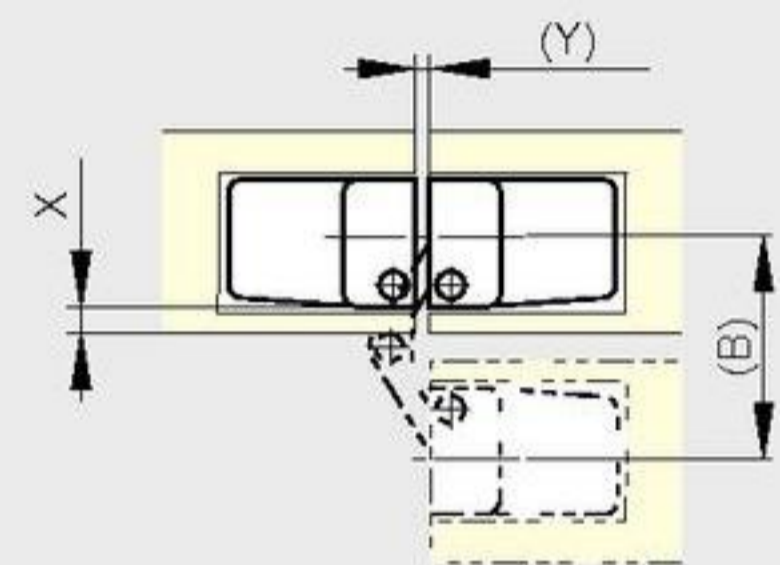
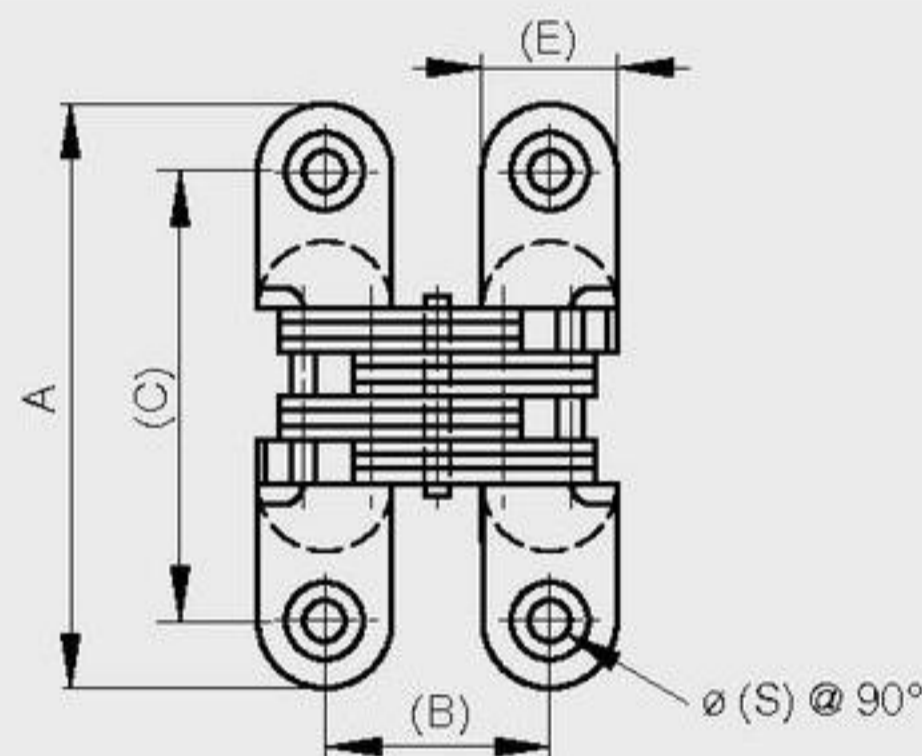
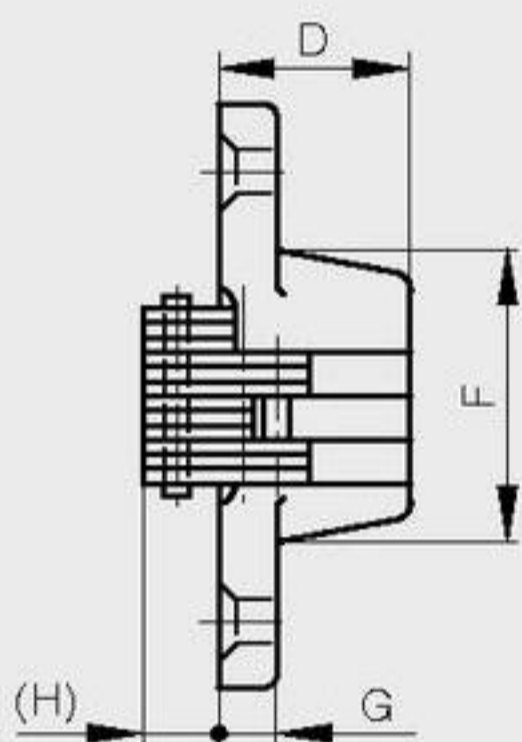


Multi link concealed hinges - 180° opening

Links and pins in 303 and 304 stainless steel.
 A full product data sheet is available on our website.

A	B	C	D	E	F	G	H	S	X	Y	part number	material	finish	weight
43	18	32	13	11	22	5	5	3.5	≤2.3	0.8	70-7-3539	zinc die-cast	chrome plated satin	36.6g
45	22.7	32	18.5	13	19	5	6	3.5	≤3	0.8	70-7-3540	zinc die-cast	chrome plated satin	55g
60	22.2	47	18.5	13	33	6.5	6.5	4.3	≤3	1	70-7-3541	zinc die-cast	chrome plated satin	100g
70	26.6	53	23	16.1	35	7	9	4.6	≤3.5	1.2	70-7-3542	zinc die-cast	chrome plated satin	160g
100	33.2	80	27.5	20	52	9.5	9.5	5.3	≤4.8	1.8	70-7-3543	zinc die-cast	chrome plated satin	350g



Concealed hinge with removable pin - 180° opening

Patented concealed hinge for metallic enclosures with a 180° opening.
 Removable pin makes disassembly of doors easy.
 Product data sheet with mounting instructions available on request or on our website.
 Door thickness max : 1mm

A	part number	material	finish	weight
100	73-1-3504	steel	raw	123g

