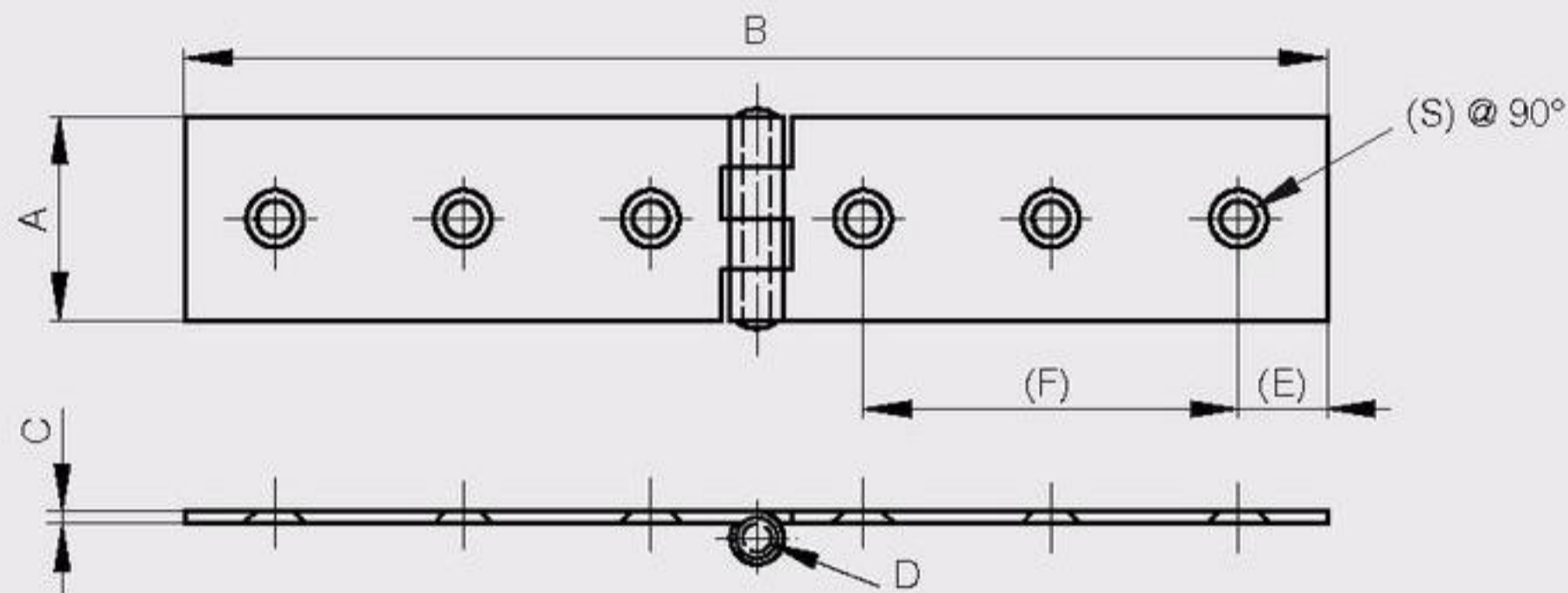


Hinges

A	B	C	D	E	F	S	note	part number	material	finish	weight
25	140	1.5	3.5	11	46	3.5	riveted pin	50-7-3880	steel	raw	45g
30	160	1.5	3.5	11	54	3.5		50-7-3881	steel	raw	60g
30	190	2.5	6	12.5	60	4		50-7-3341	steel	zinc plated	150g
30	220	2.5	6	13.5	75	4		50-7-3342	steel	zinc plated	165g



A	B	C	D	S	part number	material	finish	weight
20	60	1.2	3	2.5	50-7-3332	steel	raw	13g

