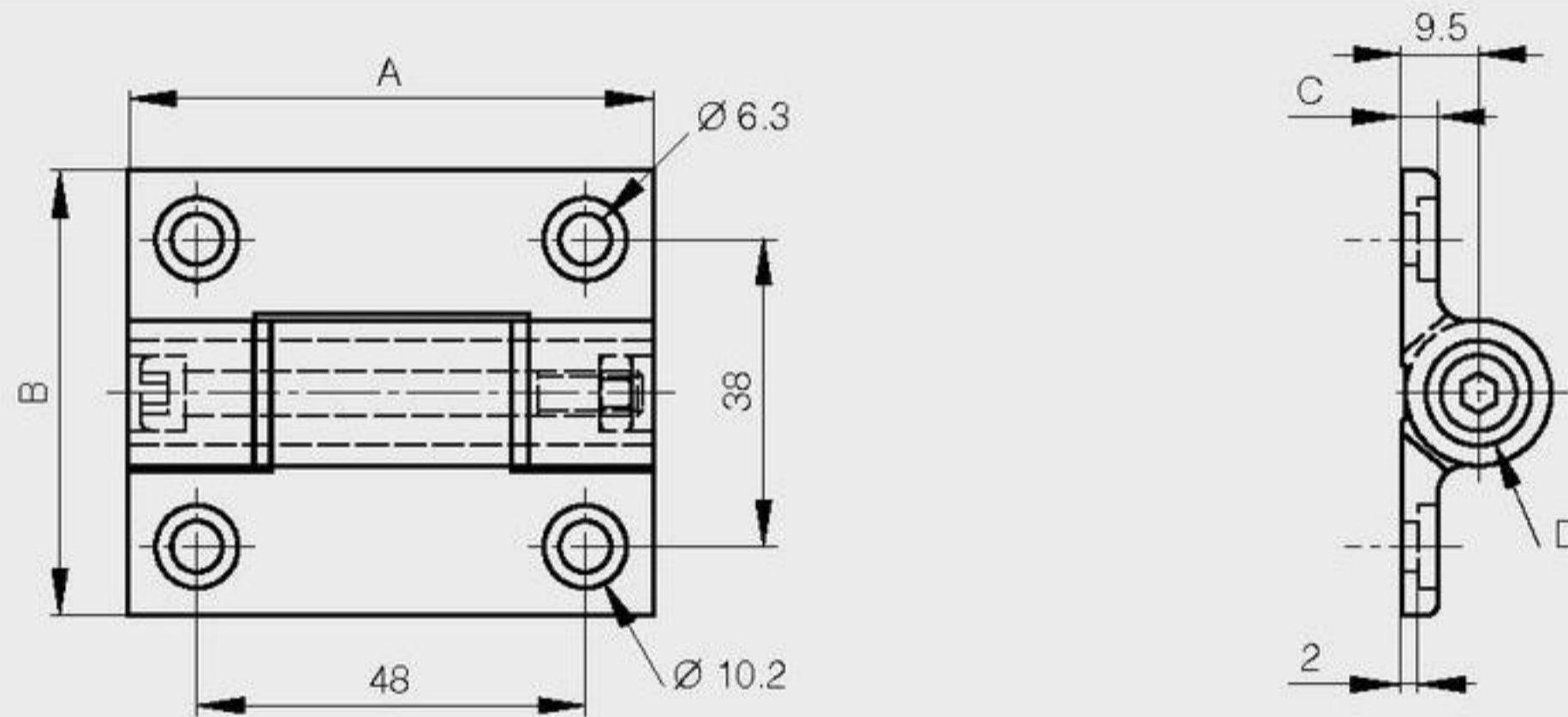


### Hi-Klik™ Detent hinge

Indented every 30°. 3 torque values.  
 Torque is preset.  
 A full product data sheet is available on our website.

A	B	C	D	torque	part number	material	finish	weight
67	55	4.5	13	1.8 N.m	72-1-4197	alu 6060 T5	black anodised	106g
67	55	4.5	13	2.5 N.m	72-1-4198	alu 6060 T5	black anodised	106g
67	55	4.5	13	3.2 N.m	72-1-4225	alu 6060 T5	black anodised	106g



### Detent plastic hinge

Holds door leaves in 4 different positions (90° each).  
 Maximum door weight : 1.2kg/pair.  
 303 stainless steel pin.  
 A full product data sheet is available on our website.

A	B	part number	material	finish	weight
50	60	54-7-3509	polyacetal	ivory	30g
50	60	54-7-3510	polyacetal	black	30g

