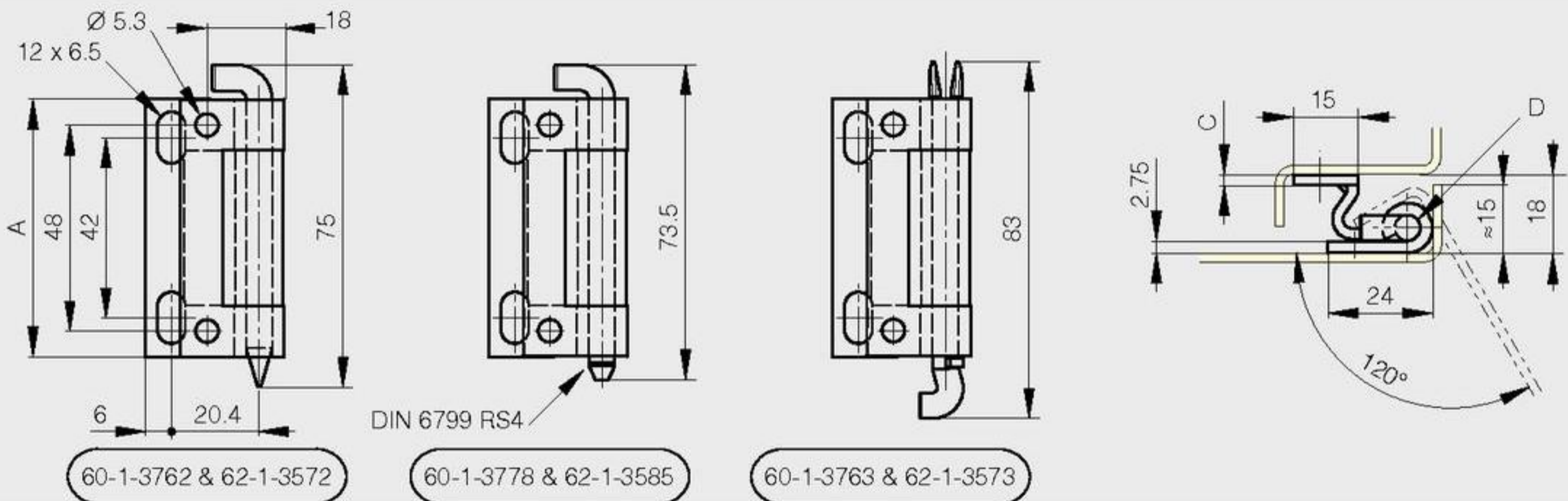


Concealed hinges - 120° opening

Zinc plated steel hinge, small flat side in raw steel.
 Natural POM pin diameter 6.
 For pin with groove, optimal use of circlips DIN 6799 RS4.

A	C	D	pin	part number	material	finish	weight
60	2.5	6	zinc plated pin	60-1-3762	steel	zinc plated	75g
60	2.5	6	zinc plated grooved pin	60-1-3778	steel	zinc plated	75g
60	2.5	6	delrin pin	60-1-3763	steel	zinc plated	75g
60	2.5	6	304 stainless steel pin	62-1-3572	304 stainless steel	raw	75g
60	2.5	6	303 stainless steel grooved pin	62-1-3585	304 stainless steel	raw	75g
60	2.5	6	delrin pin	62-1-3573	304 stainless steel	raw	75g



Concealed pin hinges - 120° opening

Non handed fitting
 Removable pin in 304 stainless steel

A	C	D	E	part number	material	finish	weight
80	3	6	40	12-1-3524	steel	raw	107g
80	3	6	40	12-1-3528	304 stainless steel	raw	107g

