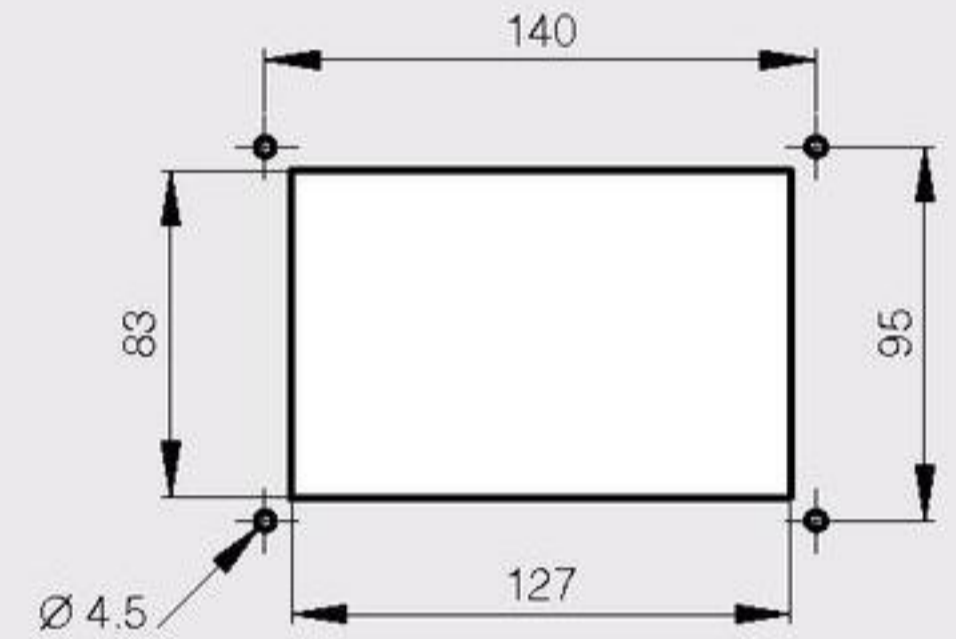
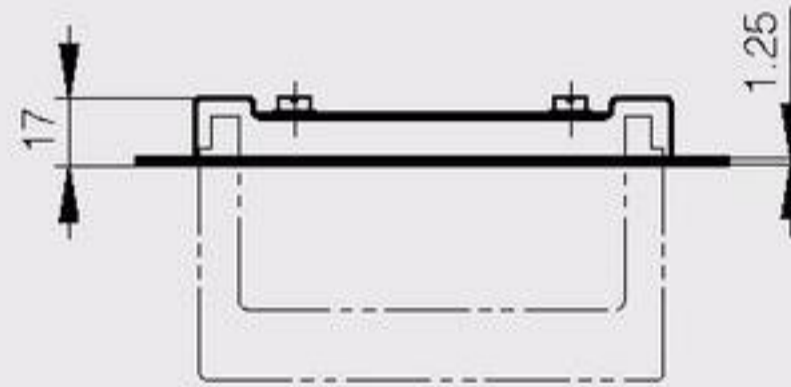
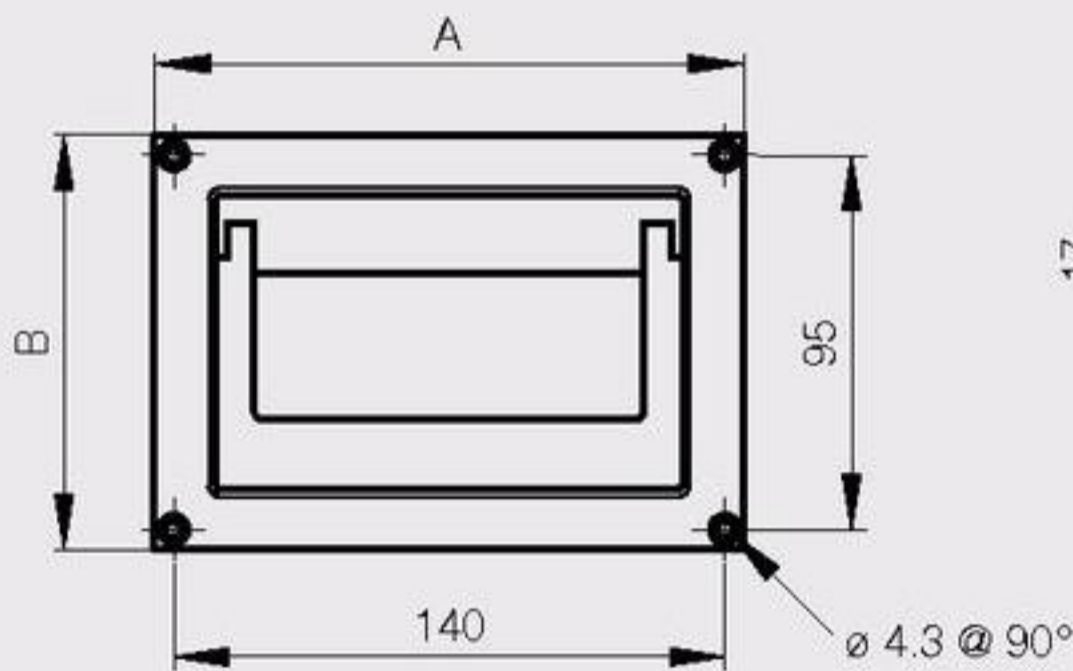


**Flush handles**

This handle has 2 detents at 0° and 90°.  
 Maximum load : 100kg.  
 Delivered unassembled.  
 Cut-out dimension : 83 x 127.



A	B	part number	material	finish	weight
150	105	19-7-3606	steel	zinc plated	450g



This handle has 2 detents at 0° and 90°.  
 Maximum load : 100kg.



A	B	C	part number	material	finish	weight
194	76	20.5	19-7-3643	zinc die-cast	silver varnish / black	310g

