



Buy on-line  
at the FA Parkes  
sales portal  
the quickest  
and most efficient  
way to purchase  
all your hardware  
requirements; locks  
handles, hinges  
stays, gasketting  
etc....

[www.faparkes.co.uk](http://www.faparkes.co.uk)  
your one stop shop!



9/00114B



Diecast key has recess  
for customer logo disc,  
and can be finished in  
black or other colours  
to special order.

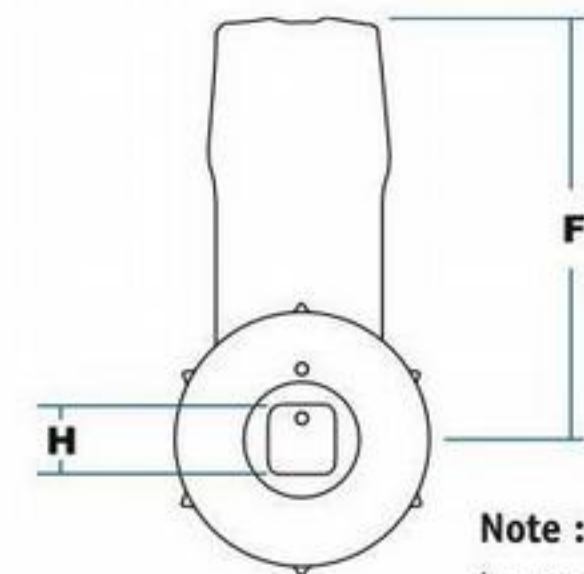
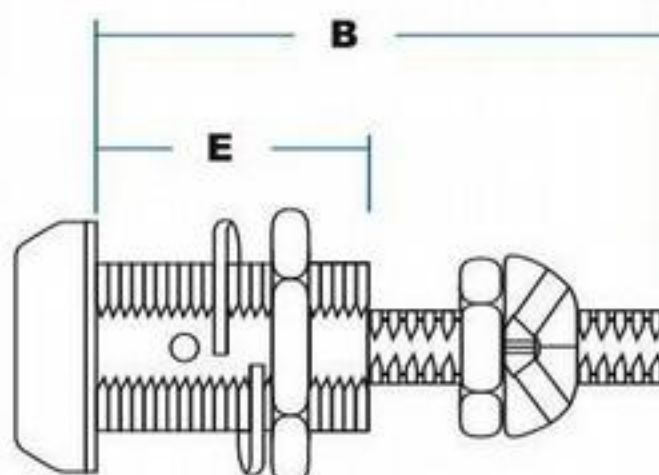
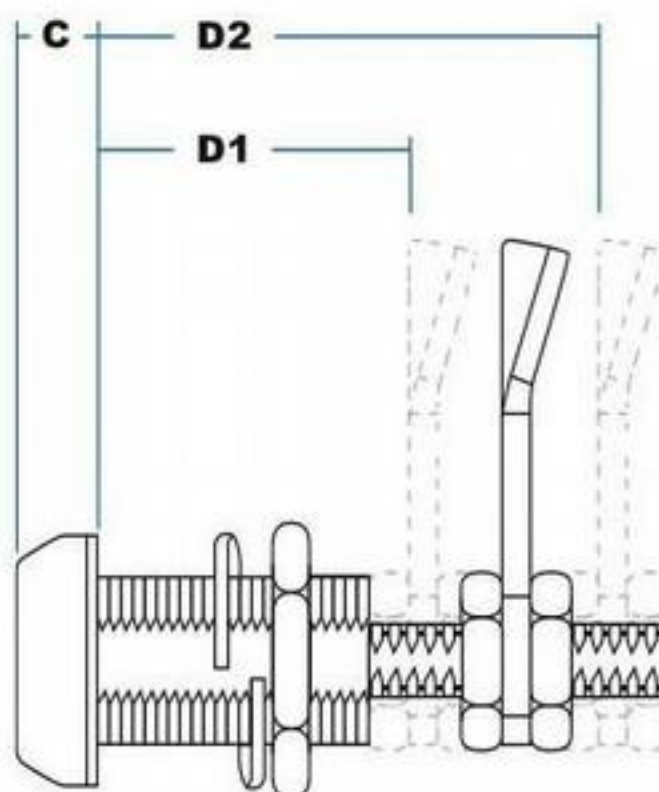
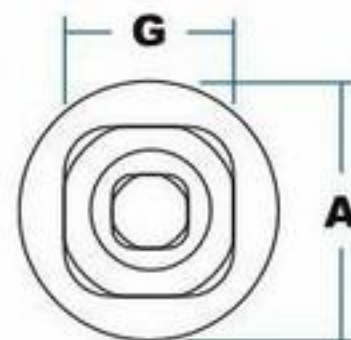
9/00729

### ORDERING CODE

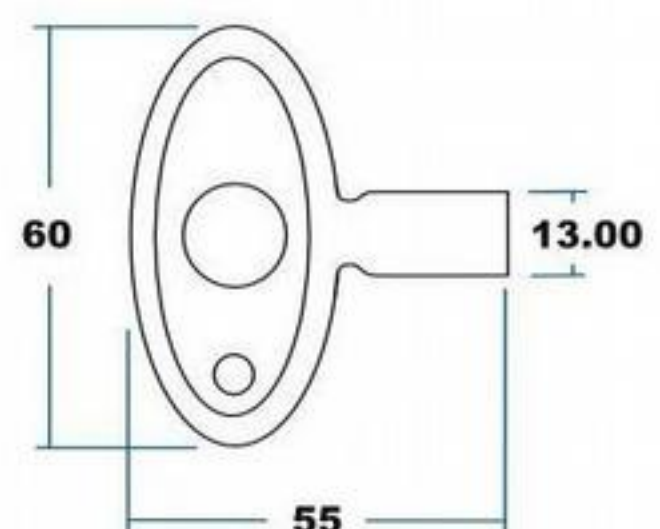
<b>9/00114</b>	Compression lock, chrome
<b>9/00114B</b>	Compression lock, black
<b>9/00729</b>	Diecast key, plain

### SPECIFICATION

<b>A</b>	Head Diameter	29 mm
<b>B</b>	Total Depth (locked)	65.5 mm
<b>C</b>	Head projection	8 mm
<b>D1</b>	Depth to latch (min)	36 mm
<b>D2</b>	Depth to latch (max)	56.4 mm
<b>E</b>	Body depth	32 mm
<b>F</b>	Engagement	47.6 mm
<b>G</b>	Body across flats (square)	18.8 mm
<b>H</b>	Plug size	7 mm
<b>I</b>	"Take-up" Depth	6 mm



Note : Dots and latch  
bar to line up when in  
compressed position



F.A. Parkes (M.B.F) Limited  
Unit 4, Acorn Court  
Butts Street, Leigh  
Lancashire WN7 3AE

Tel. 01942 681 996  
[sales@faparkes.co.uk](mailto:sales@faparkes.co.uk)