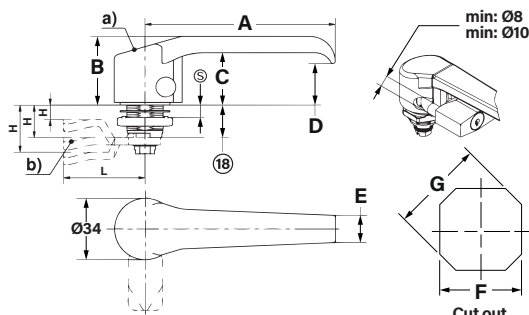


## Padlockable L Handle



Padlockable L handle in 316 stainless steel.

Note: configure the quarter-turn with a cam. (Cams sold separately - please call for details).

Padlock feature only if cam is at 90° to the L-handle.

(S) Door-thickness max. 8mm

- 316 Stainless steel
- IP65 according to DIN EN 60529
- LH / RH



Part No.	A	B	C	D	E	F	G
24763	105	38	29	23	15	□20.1 +0.1	Ø22.5 +0.5

### Cam options:

Part No.	H=
26176	6
26177	8
26178	10
26179	14
26180	16
23660	18
26181	20

Part No.	H=
25688	22
25750	24
25663	26
23440	32
26168	40
25659	50

All dimensions shown in mm unless otherwise stated. We reserve the right to alter specifications without notice.



Thousands of products available to buy online



Reliable international delivery service



The UK's leading stockist of locks, handles, hinges gas springs & accessories

Order online at  
[www.faparkes.co.uk](http://www.faparkes.co.uk)

Your One-Stop-Shop for all your hardware requirements!



FA Parkes Ltd  
Unit 4, Acorn Court  
Butts Street,  
Leigh  
Lancashire, UK  
WN7 3AE



+44 (0) 1942 681 996



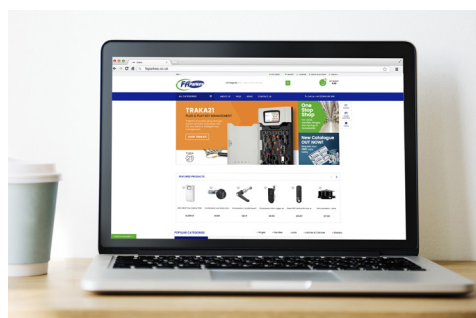
+44 (0) 1942 681 997



[www.faparkes.co.uk](http://www.faparkes.co.uk)



[sales@faparkes.co.uk](mailto:sales@faparkes.co.uk)



- Search by keyword or part number
- Browse by part type
- Product datasheet downloads
- No sign up required!

