

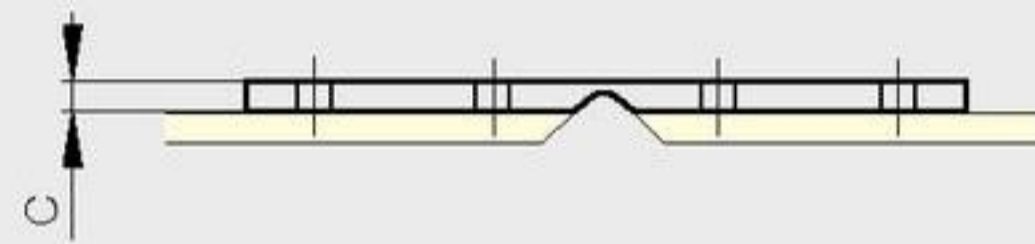
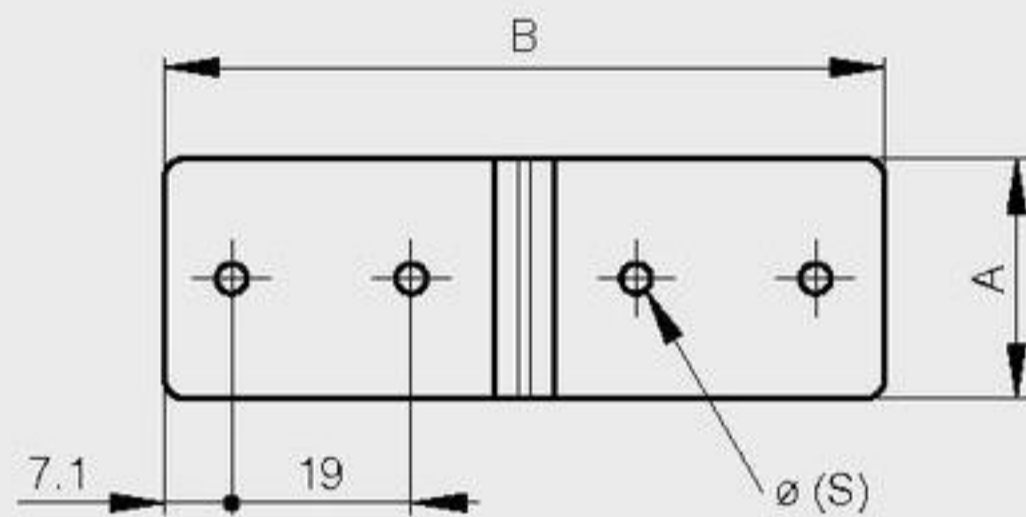
### Plastic hinges

Technical features :

- Temperatures: -40°C up to +80°C
- Can be fixed with: rivets, screws, nails or clamps
- Chemical resistance: oil, solvents, sea water and most chemical agents
- Tensile resistance: 180N/cm
- Material offers excellent fatigue resistance



A	B	C	S	part number	material	finish	weight
25.4	76.2	3.2	3.2	54-7-3000	polypropylene	white	5g
25.4	76.2	3.2	3.2	54-7-3002	polypropylene	black	5g



Technical features :

- Temperatures: -40°C up to +80°C
- Can be fixed with: rivets, screws, nails or clamps
- Chemical resistance: oil, solvents, sea water and most chemical agents
- Tensile resistance: 180N/cm
- Material offers excellent fatigue resistance



A	B	C	F	G	S	part number	material	finish	weight
38.1	25.4	2	15.9	28.6	3.43	54-7-3006	polypropylene	white	5g
38.1	25.4	2	15.9	28.6	3.43	54-7-3008	polypropylene	black	5g
50.8	38.1	3.17	22.2	33.3	3.43	54-7-3003	polypropylene	white	5g
50.8	38.1	3.17	22.2	33.3	3.43	54-7-3005	polypropylene	black	5g

