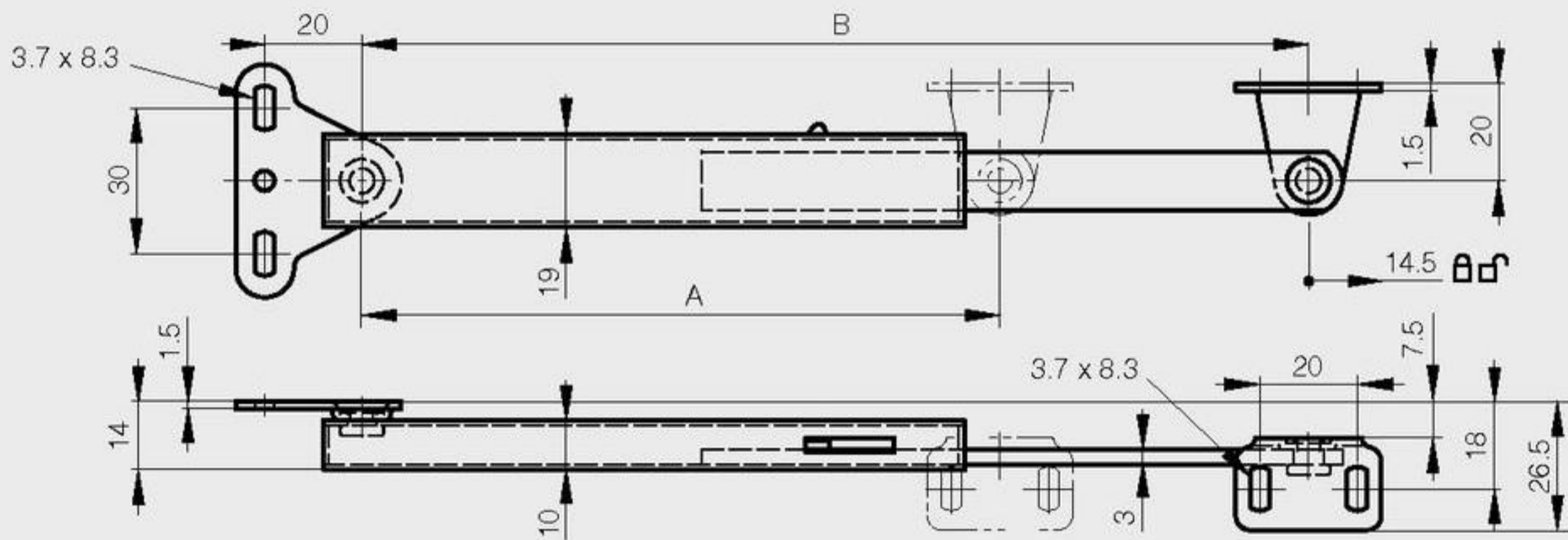


Support stays with automatic release

Load capacity : 15 kg

| A | B | part number | material | finish | weight |
|-----|-----|-------------|---------------------|--------|--------|
| 133 | 195 | 24-7-3552 | 304 stainless steel | satin | 125g |
| 170 | 270 | 24-7-3553 | 304 stainless steel | satin | 150g |



A = closed dimension
 B = extended dimension

| A | B | part number | material | finish | weight |
|-----|-----|-------------|----------|-------------|--------|
| 300 | 495 | 24-7-3543 | steel | zinc plated | 304g |

