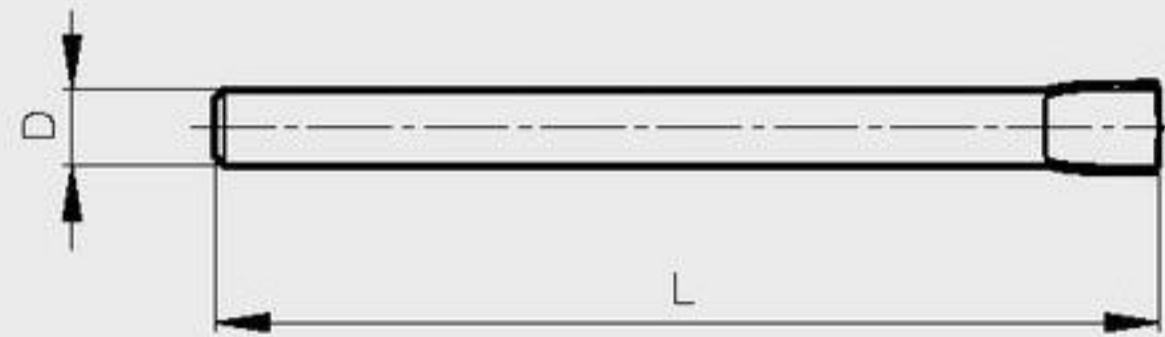


The hinge pin is made of either an expanded pin (BG) or a headed pin (BT) with a plug (VA). Putting together a headed pin (BT) and a plug (VA) gives the impression of a riveted pin which is not removable.

Expanded pin BG for Modulo system

This pin alone enables you to make a hinge pin for Modulo hinges.

D	L	part number	material	finish	weight
6	80	27-1-3820	steel	zinc plated	17.7g
8	100	27-1-3821	steel	zinc plated	39.4g
10	120	27-1-3822	steel	zinc plated	74g
6	80	27-1-3823	304 stainless steel	raw	17.7g
8	100	27-1-3824	304 stainless steel	raw	39.4g
10	120	27-1-3825	304 stainless steel	raw	74g



BG

Broche Gonflée
 Expanded pin
 Gestauchter Stift

Headed pin BT for Modulo system

This pin combined with a plug (VA) enables you to make a hinge pin for Modulo hinges.

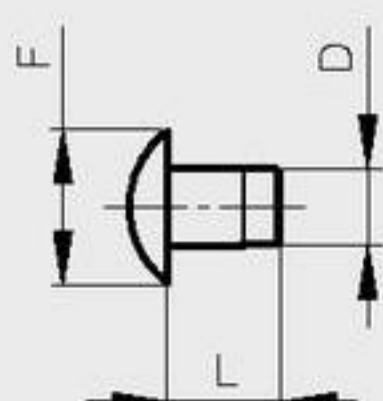
D	E	L	part number	material	finish	weight
6	3	66	27-1-3826	steel	zinc plated	15.5g
8	4	86	27-1-3827	steel	zinc plated	35.5g
10	5	106	27-1-3828	steel	zinc plated	68.4g
6	3	66	27-1-3829	304 stainless steel	raw	15.5g
8	4	86	27-1-3830	304 stainless steel	raw	35.5g
10	5	106	27-1-3831	304 stainless steel	raw	68.4g



Plug (VA) for Modulo system

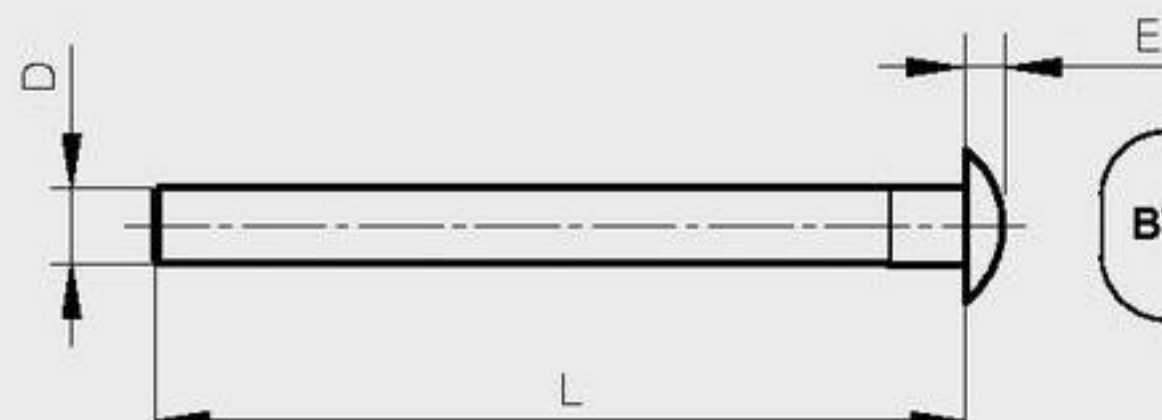
This plug combined with a headed pin (BT) enables you to make a hinge pin for Modulo hinges.

D	F	L	part number	material	finish	weight
6	12	12	27-1-3832	steel	zinc plated	3.3g
8	16	12	27-1-3833	steel	zinc plated	6.3g
10	20	12	27-1-3834	steel	zinc plated	10.5g
6	12	12	27-1-3835	304 stainless steel	raw	3.3g
8	16	12	27-1-3836	304 stainless steel	raw	6.3g
10	20	12	27-1-3837	304 stainless steel	raw	10.5g



VA

VAse
 Plug
 Stopfen



BT

Broche à Tête
 Headed pin
 Stift mit Kopf