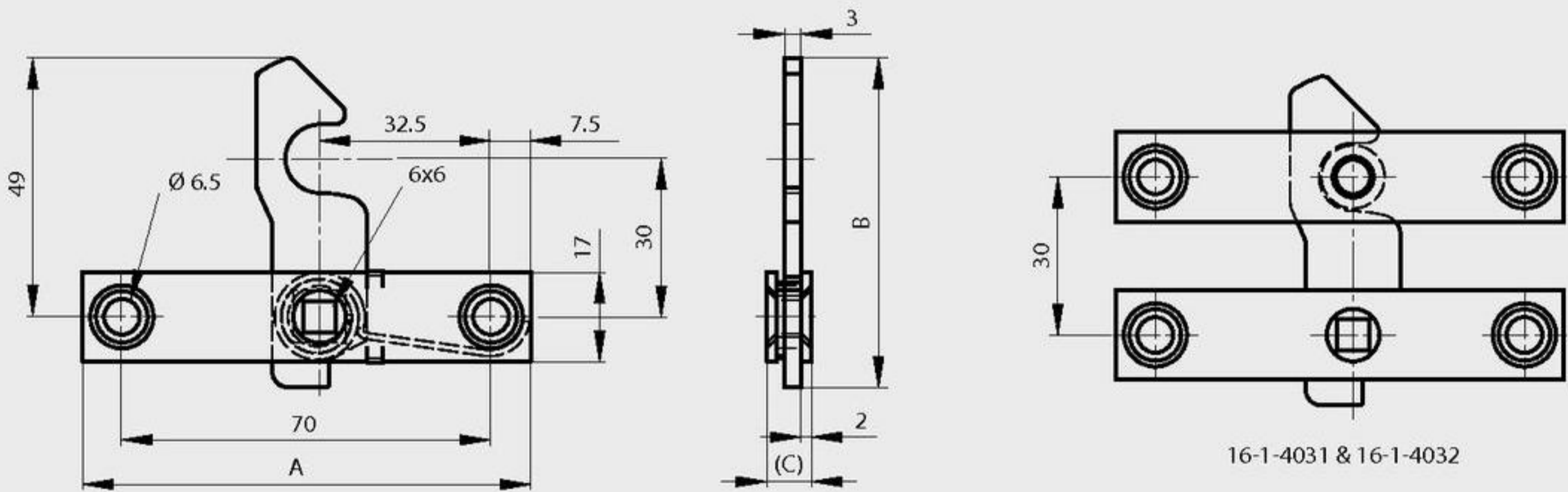


Spring budget latch

Not handed

A	B	C	note	part number	material	finish	weight
85	53.4	8.5	Budget latch (no strike)	16-1-4031	304 stainless steel	deburred	69g
85	17	8.5	Strike	16-1-4032	304 stainless steel	deburred	48g



Key for part numbers 16-7-3290, 16-7-3291, 16-7-3292, 16-1-3972 and 16-1-4031

A	B	part number	material	finish	weight
72.5	58	16-7-3314	zinc die-cast	zinc plated	32g

