

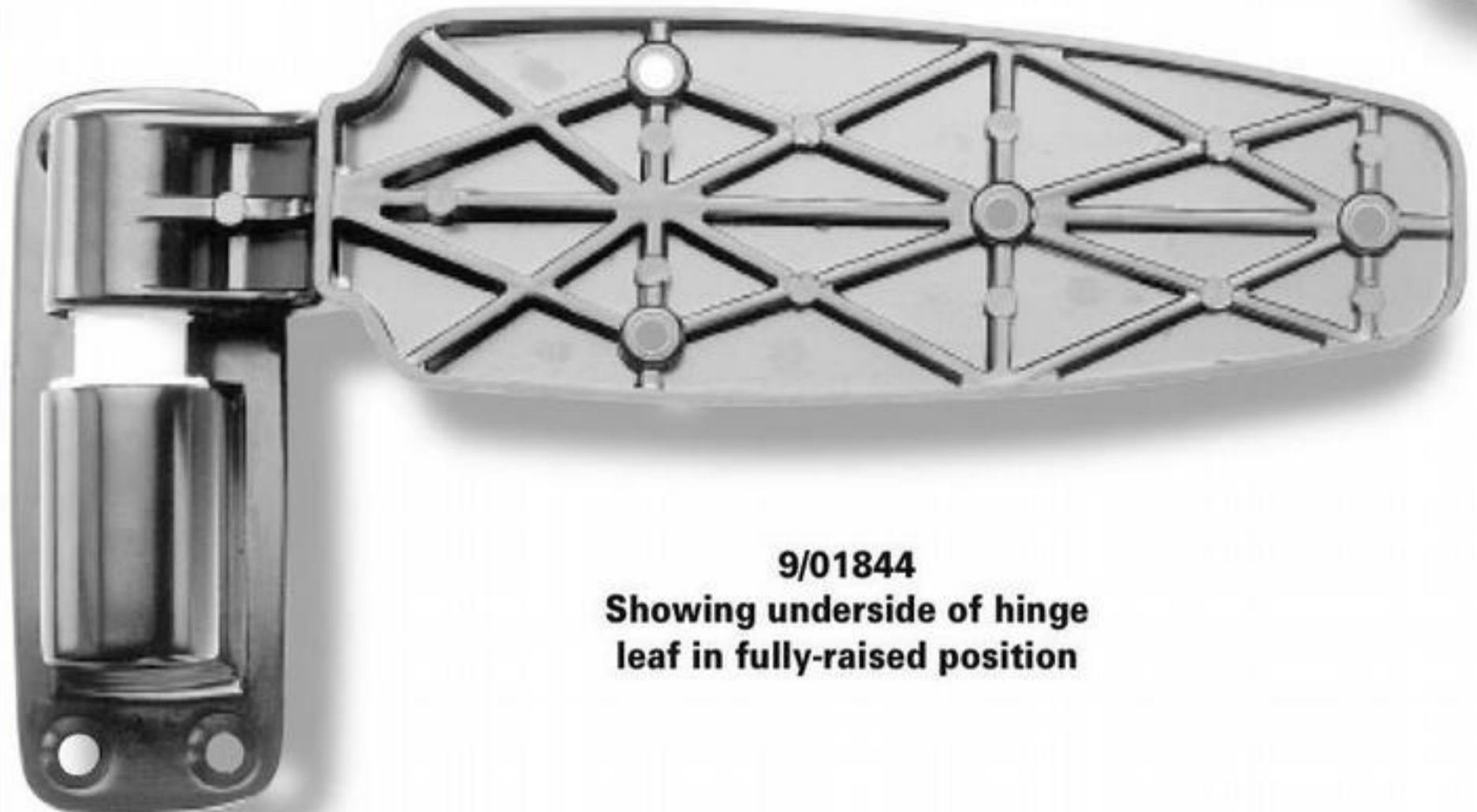


Buy on-line  
at the FA Parkes  
sales portal  
the quickest  
and most efficient  
way to purchase  
all your hardware  
requirements; locks  
handles, hinges  
stays, gasketing  
etc....

[www.faparkes.co.uk](http://www.faparkes.co.uk)  
your one stop shop!



**9/01844**  
Right-hand hinge



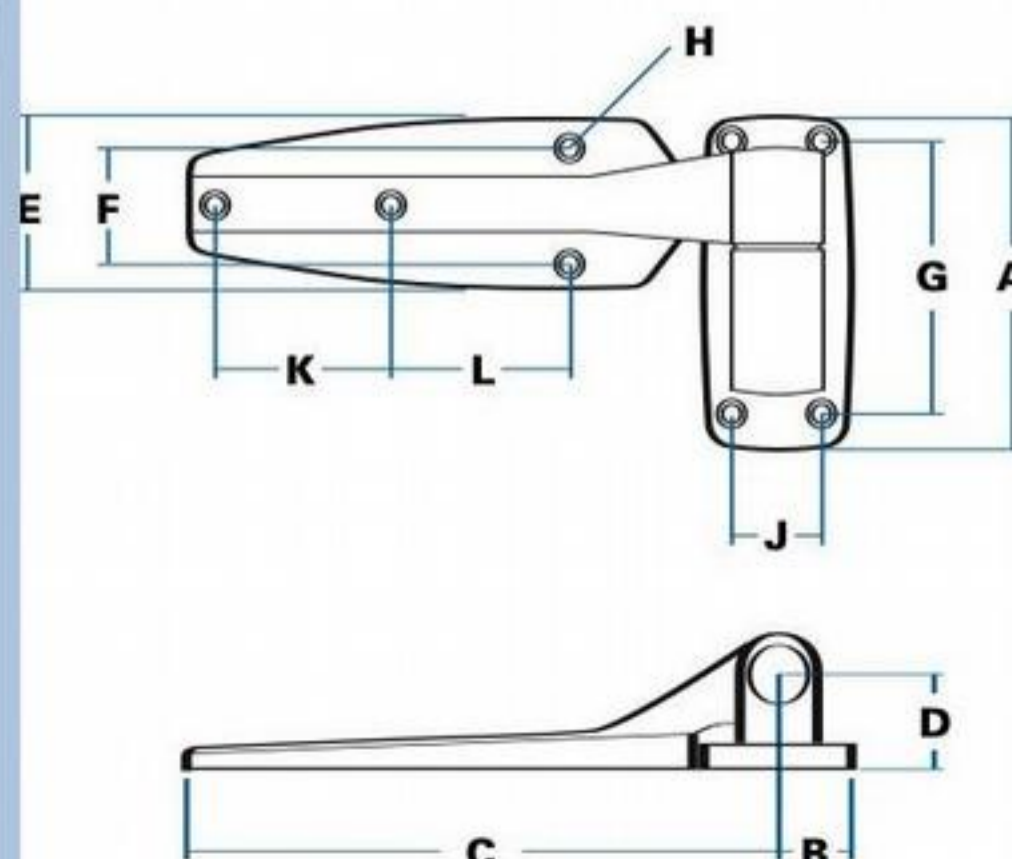
**9/01844**  
Showing underside of hinge  
leaf in fully-raised position

### ORDERING CODE

<b>9/01844</b>	Cam lift hinge, RH, chrome
<b>9/01844B</b>	As above, black
<b>9/01845</b>	Cam lift hinge, LH, chrome
<b>9/01845B</b>	As above, black

### SPECIFICATION

<b>A</b>	Width	140 mm
<b>B</b>	Location	26 mm
<b>C</b>	Length	244 mm
<b>D</b>	Height to pin-centre	40 mm
<b>E</b>	Width (max)	70 mm
<b>F</b>	Hole centres	48 mm
<b>G</b>	Hole centres	115 mm
<b>H</b>	Hole sizes (dia)	6 mm, c/s 12 mm
<b>J</b>	Hole centres	28 mm
<b>K</b>	Location	62 mm
<b>L</b>	Location	68 mm



#### 'Reverse-handing'

If necessary, handing can be reversed on site. Simply remove nylon cam-shell from steel pin, knock pin through to other side of hinge-leaf, and re-attach cam-shell, being careful to orient this correctly to achieve desired travel.

F.A. Parkes (M.B.F) Limited  
Unit 4, Acorn Court  
Butts Street, Leigh  
Lancashire WN7 3AE

Tel. 01942 681 996  
[sales@faparkes.co.uk](mailto:sales@faparkes.co.uk)