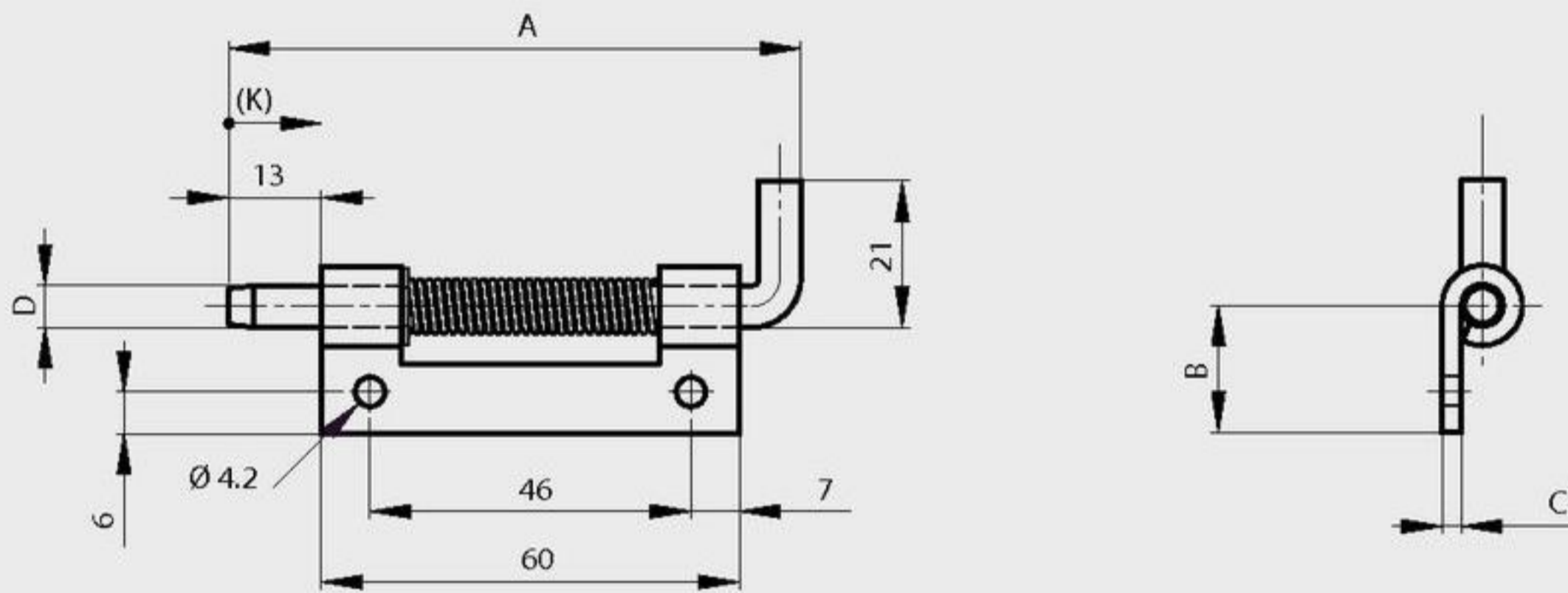


Concealed springloaded pin hinges

Stainless steel spring. Hinges in raw steel and zinc plated steel with a zinc plated pin.

A	B	C	D	K	note	part number	material	finish	weight
82	18.2	2.8	6	12	type 1 as shown below	12-1-3856	steel	raw	46.4g
82	18.2	2.8	6	12	type 2 symmetric not shown	12-1-3857	steel	raw	46.4g
82	18.2	2.8	6	12	type 1 as shown below	12-1-3854	steel	zinc plated	46.4g
82	18.2	2.8	6	12	type 2 symmetric not shown	12-1-3855	steel	zinc plated	46.4g
82	18.2	2.8	6	12	type 1 as shown below	12-1-3858	304 stainless steel	raw	46.4g
82	18.2	2.8	6	12	type 2 symmetric not shown	12-1-3859	304 stainless steel	raw	46.4g



Stainless steel spring

A	B	C	D	K	note	part number	material	finish	weight
82	21	14	5	12	type 1 as shown below	12-1-3950	steel	raw	38.5g
82	21	14	5	12	type 2 symmetric not shown	12-1-3951	steel	raw	38.5g
82	21	14	5	12	type 1 as shown below	12-1-3860	steel	zinc plated	38.5g
82	21	14	5	12	type 2 symmetric not shown	12-1-3861	steel	zinc plated	38.5g
82	21	14	5	12	type 1 as shown below	12-1-3862	304 stainless steel	raw	38.5g
82	21	14	5	12	type 2 symmetric not shown	12-1-3863	304 stainless steel	raw	38.5g

