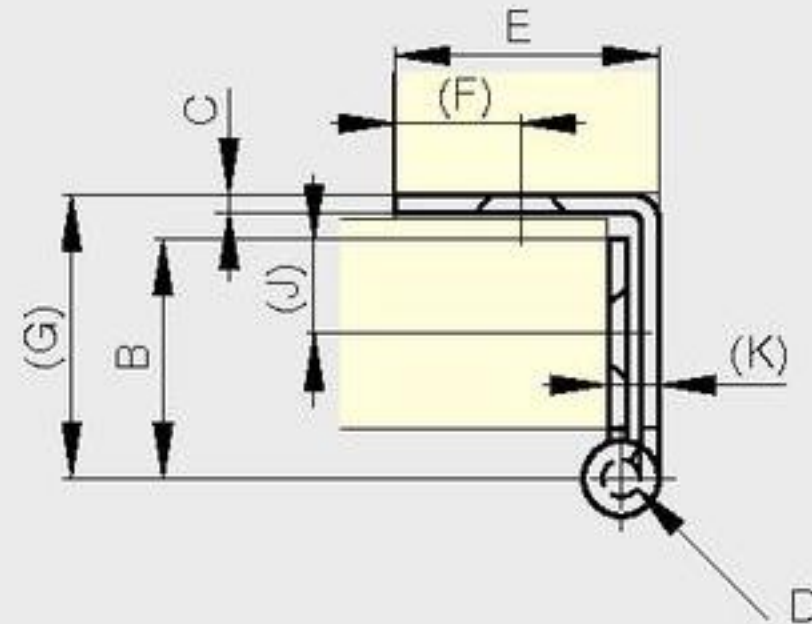
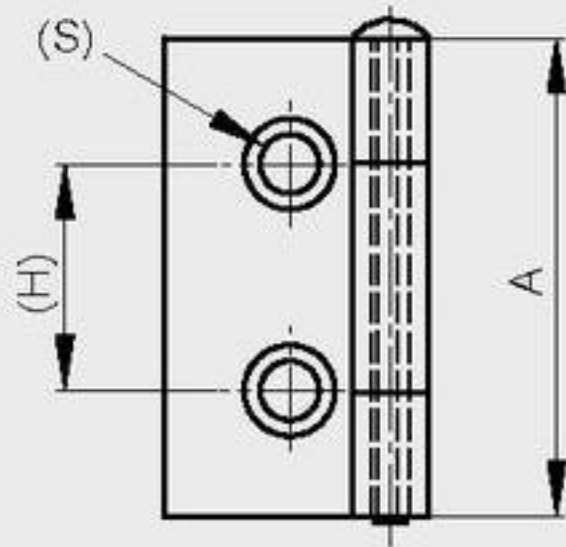
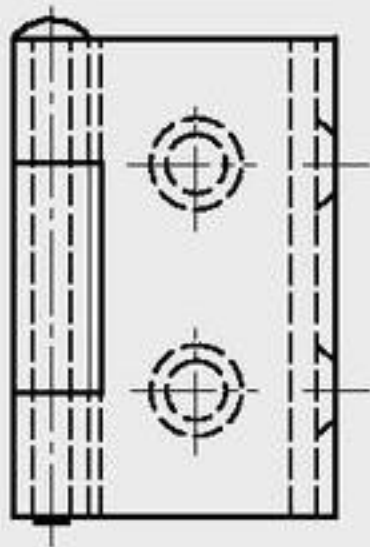


Small butt hinge with one cranked leaf and removable pin

Removable pin

A	B	C	D	E	F	G	H	J	K	S	material	finish	part number	pin material	weight
38	19	1.5	3	17	8	23	26	7	3.5	4	steel	chrome plated	60-1-3331	430 stainless steel	31g
38	19	1.5	3	19	10	24.5	18	7.5	4	4.7	steel	chrome plated	60-1-3332	430 stainless steel	31g
38	19	1.5	3	21	10	22.5	18	7.5	4	4.7	steel	chrome plated	60-1-3330	430 stainless steel	31g
38	19	1.5	3	21	10	22.5	18	7.5	4	4.7	steel	black cataphoresis	60-1-3342	430 stainless steel	31g



Small butt hinge with one cranked leaf

For door thickness 11mm max.

304 stainless steel pin.

A	B	C	D	E	S	part number	material	finish	weight
50	13.5	1	3	12	4	62-1-3300	430 stainless steel	polished	20g

